



**THE DISPLAY CHOICE  
OF PROFESSIONALS™**

**TX-32P & TX-42P LED-Backlit Touch Display**

# **User Manual**

[www.agneovo.com](http://www.agneovo.com)

# TABLE OF CONTENTS

<b>SAFETY INFORMATION.....</b>	<b>1</b>
CE .....	1
Polish Center for Testing and Certification Notice .....	1
Electric, Magnetic and Electromagnetic Fields (“EMF”) .....	2
Information for U.K. only.....	3
North Europe (Nordic Countries) Information.....	4
End-of-Life Disposal .....	5
Waste Electrical and Electronic Equipment-WEEE.....	5
Turkey RoHS.....	6
Ukraine RoHS .....	6
<b>PRECAUTIONS .....</b>	<b>7</b>
Cautions When Setting Up .....	7
Cautions When Using.....	8
Cleaning and Maintenance.....	8
Notice for the LCD Display .....	9
<b>CHAPTER 1: PRODUCT DESCRIPTION.....</b>	<b>10</b>
1.1 Package Contents .....	10
1.2 Preparing for the Installation .....	11
1.3 Moving the Display .....	11
1.3.1 Unpacking the Display.....	11
1.3.2 Carrying the Display .....	12
1.3.3 Setting Down the Display .....	12
1.3.4 Placing the Display .....	12
1.4 Installing and Removing Table Stands (optional) .....	13
1.5 Wall Mounting Installation.....	14
1.5.1 VESA Grid .....	14
1.5.2 Ventilation Requirements for Enclosure Locating.....	15
1.6 Mounting in Portrait Position .....	15
1.7 LCD Display Overview .....	16
1.7.1 Control Panel.....	16
1.7.2 Input/Output Terminals .....	18
1.8 Remote Control .....	20
1.8.1 General Functions .....	20
1.8.2 Inserting the Batteries in the Remote Control .....	21
1.8.3 Handling the Remote Control .....	21
1.8.4 Operating Range of the Remote Control.....	21

# TABLE OF CONTENTS

<b>CHAPTER 2: MAKING CONNECTIONS.....</b>	<b>22</b>
2.1 Connecting the Power .....	22
2.2 Connecting a Computer .....	23
2.2.1 Using VGA Input .....	23
2.2.2 Using HDMI Input .....	23
2.2.3 Using DVI Input .....	24
2.2.4 Using RS232 Input .....	24
2.2.5 Using the Touch Screen .....	25
2.3 Connecting External Equipment (DVD / DVD-B).....	26
2.3.1 Using HDMI Video Input .....	26
2.4 Connecting Audio Equipment.....	26
2.4.1 Connecting an External Audio Device .....	26
<b>CHAPTER 3: USING THE LCD DISPLAY.....</b>	<b>27</b>
3.1 Turning on the Power .....	27
3.2 Selecting the Input Source Signal .....	27
3.3 Adjusting the Volume.....	28
3.4 Setting Up the IR Sensor (For TX-42P only).....	29
<b>CHAPTER 4: ON SCREEN DISPLAY MENU.....</b>	<b>30</b>
4.1 Using the OSD Menu .....	30
4.2 OSD Menu Tree .....	32
<b>CHAPTER 5: ADJUSTING THE LCD DISPLAY .....</b>	<b>33</b>
5.1 Color.....	33
5.2 Image Setting .....	35
5.3 OSD Menu.....	36
5.4 Signal Source .....	37
5.5 Audio .....	37
5.6 Special.....	38
<b>CHAPTER 6: APPENDIX.....</b>	<b>39</b>
6.1 Warning Messages.....	39
6.2 Supported Resolution.....	39
6.3 Cleaning .....	41
6.4 Troubleshooting.....	42
6.5 Transporting the LCD Display .....	43
<b>CHAPTER 7: SPECIFICATIONS .....</b>	<b>44</b>
7.1 Display Specifications .....	44
7.2 Display Dimensions.....	45
7.2.1 TX-32P Dimensions.....	45
7.2.2 TX-42P Dimensions.....	45

# SAFETY INFORMATION

CE



**WARNING:** This equipment is compliant with Class A of EN55032/CISPR 32. In a residential environment this equipment may cause radio interference.

## Polish Center for Testing and Certification Notice

The equipment should draw power from a socket with an attached protection circuit (a three-prong socket). All equipment that works together (computer, display, printer, and so on) should have the same power supply source.

The phasing conductor of the room's electrical installation should have a reserve short-circuit protection device in the form of a fuse with a nominal value no larger than 16 amperes (A).

To completely switch off the equipment, the power supply cable must be removed from the power supply socket, which should be located near the equipment and easily accessible.

A protection mark "B" confirms that the equipment is in compliance with the protection usage requirements of standards PN-93/T-42107 and PN-89/E-06251.

### ***Wymagania Polskiego Centrum Badań i Certyfikacji***

Urządzenie powinno być zasilane z gniazda z przyłączonym obwodem ochronnym (gniazdo z kołkiem). Współpracujące ze sobą urządzenia (komputer, monitor, drukarka) powinny być zasilane z tego samego źródła.

Instalacja elektryczna pomieszczenia powinna zawierać w przewodzie fazowym rezerwową ochronę przed zwarciami, w postaci bezpiecznika o wartości znamionowej nie większej niż 16A (amperów).

W celu całkowitego wyłączenia urządzenia z sieci zasilania, należy wyjąć wtyczkę kabla zasilającego z gniazodka, które powinno znajdować się w pobliżu urządzenia i być łatwo dostępne.

Znak bezpieczeństwa "B" potwierdza zgodność urządzenia z wymaganiami bezpieczeństwa użytkownika zawartymi w PN-93/T-42107 i PN-89/E-06251.

### ***Pozostałe instrukcje bezpieczeństwa***

- Nie należy używać wtyczek adapterowych lub usuwać kołka obwodu ochronnego z wtyczki. Jeżeli konieczne jest użycie przedłużacza to należy użyć przedłużacza 3-żyłowego z prawidłowo połączonym przewodem ochronnym.
- System komputerowy należy zabezpieczyć przed nagłymi, chwilowymi wzrostami lub spadkami napięcia, używając eliminatora przepięć, urządzenia dopasowującego lub bezzakłóceniewego źródła zasilania.
- Należy upewnić się, aby nic nie leżało na kablach systemu komputerowego, oraz aby kable nie były umieszczone w miejscu, gdzie można byłoby na nie nadeptywać lub potykać się o nie.
- Nie należy rozlewać napojów ani innych płynów na system komputerowy.
- Nie należy wpychać żadnych przedmiotów do otworów systemu komputerowego, gdyż może to spowodować pożar lub porażenie prądem, poprzez zwarcie elementów wewnętrznych.
- System komputerowy powinien znajdować się z dala od grzejników i źródeł ciepła. Ponadto, nie należy blokować otworów wentylacyjnych. Należy unikać kładzenia luźnych papierów pod komputer oraz umieszczania komputera w ciasnym miejscu bez możliwości cyrkulacji powietrza wokół niego.

# SAFETY INFORMATION

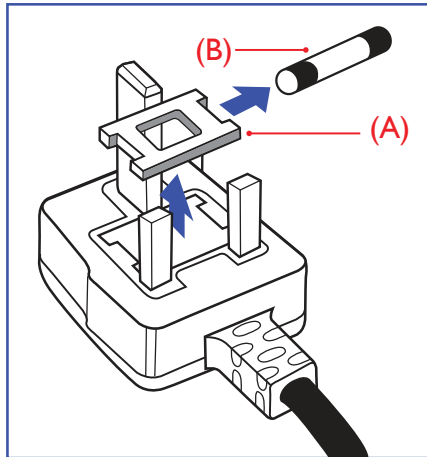
## Electric, Magnetic and Electromagnetic Fields (“EMF”)

- We manufacture and sell many products targeted at consumers, which, like any electronic apparatus, in general have the ability to emit and receive electromagnetic signals.
- One of our leading Business Principles is to take all necessary health and safety measures for our products, to comply with all applicable legal requirements and to stay well within the EMF standards applicable at the time of producing the products.
- We are committed to develop, produce and market products that cause no adverse health effects.
- We confirm that if its products are handled properly for their intended use, they are safe to use according to scientific evidence available today.
- We play an active role in the development of international EMF and safety standards, enabling us to anticipate further developments in standardization for early integration in its products.

# SAFETY INFORMATION

## Information for U.K. only

WARNING - THIS APPLIANCE MUST BE EARTHED.



Important:

This apparatus is supplied with an approved moulded 13A plug. To change a fuse in this type of plug proceed as follows:

- 1 Remove fuse cover and fuse.
- 2 Fit new fuse which should be a BS 1362 5A, A.S.T.A. or BSI approved type.
- 3 Refit the fuse cover.

If the fitted plug is not suitable for your socket outlets, it should be cut off and an appropriate 3-pin plug fitted in its place.

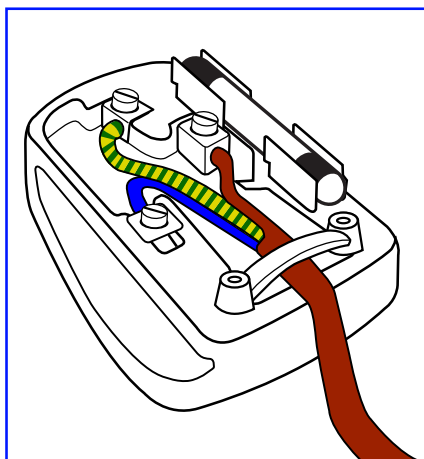
If the mains plug contains a fuse, this should have a value of 5A. If a plug without a fuse is used, the fuse at the distribution board should not be greater than 5A.



Note:

The severed plug must be destroyed to avoid a possible shock hazard should it be inserted into a 13A socket elsewhere.

# SAFETY INFORMATION



## How to connect a plug

The wires in the mains lead are coloured in accordance with the following code:

BLUE - "NEUTRAL" ("N")

BROWN - "LIVE" ("L")

GREEN & YELLOW - "EARTH" ("E")

- The GREEN & YELLOW wire must be connected to the terminal in the plug which is marked with the letter "E" or by the Earth symbol or coloured GREEN or GREEN & YELLOW.
- The BLUE wire must be connected to the terminal which is marked with the letter "N" or coloured BLACK.
- The BROWN wire must be connected to the terminal which marked with the letter "L" or coloured RED.

Before replacing the plug cover, make certain that the cord grip is clamped over the sheath of the lead - not simply over the three wires.

## North Europe (Nordic Countries) Information

Placering/Ventilation

**WARNING:** FÖRSÄKRA DIG OM ATT HUVUDBRYTARE OCH UTTAG ÄR LÄTÅTKOMLIGA, NÄR DU STÄLLER DIN UTRUSTNING PÅPLATS.

Placering/Ventilation

**ADVARSEL:** SØRG VED PLACERINGEN FOR, AT NETLEDNINGENS STIK OG STIKKONTAKT ER NEMT TILGÆNGLIGE.

Paikka/Ilmankierto

**VAROITUS:** SIJOITA LAITE SITEN, ETTÄ VERKKOJOHTO VOIDAAN TARVITTAESSA HELPOSTI IRROTTAA PISTORASIESTA.

Plassering/Ventilasjon

**ADVARSEL:** NÅR DETTE UTSTYRET PLASSERES, MÅ DU PASSE PÅ AT KONTAKTENE FOR STØMTILFØRSEL ER LETTE Å NÅ.

# SAFETY INFORMATION

## End-of-Life Disposal

Your new Public Information Display contains materials that can be recycled and reused. Specialized companies can recycle your product to increase the amount of reusable materials and to minimize the amount to be disposed of.

Please find out about the local regulations on how to dispose of your old display from your local dealer.

### (For customers in Canada and U.S.A.)

This product may contain lead and/or mercury. Dispose of in accordance to local-state and federal regulations. For additional information on recycling contact [www.eia.org](http://www.eia.org) (Consumer Education Initiative).

## Waste Electrical and Electronic Equipment-WEEE

### Attention users in European Union private households



This marking on the product or on its packaging illustrates that, under European Directive 2012/19/EU governing used electrical and electronic appliances, this product may not be disposed of with normal household waste. You are responsible for disposal of this equipment through a designated waste electrical and electronic equipment collection. To determine the locations for dropping off such waste electrical and electronic, contact your local government office, the waste disposal organization that serves your household or the store at which you purchased the product.

### Attention users in United States:

Please dispose of according to all Local, State and Federal Laws. For the disposal or recycling information, contact: [www.mygreenelectronics.com](http://www.mygreenelectronics.com) or [www.eiae.org](http://www.eiae.org).

## End of Life Directives-Recycling



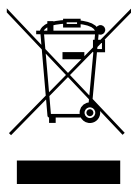
Your new Public Information Display contains several materials that can be recycled for new users.

Please dispose of according to all Local, State, and Federal laws.

## Restriction on Hazardous Substances statement (India)

This product complies with the "India E-waste Rule 2011" and prohibits use of lead, mercury, hexavalent chromium, polybrominated biphenyls or polybrominated diphenyl ethers in concentrations exceeding 0.1 weight % and 0.01 weight % for cadmium, except for the exemptions set in Schedule 2 of the Rule.

## E-Waste Declaration for India



This symbol on the product or on its packaging indicates that this product must not be disposed of with your other household waste. Instead it is your responsibility to dispose of your waste equipment by handing it over to a designated collection point for the recycling of waste electrical and electronic equipment. The separate collection and recycling of your waste equipment at the time of disposal will help to conserve natural resources and ensure that it is recycled in a manner that protects human health and the environment.



# SAFETY INFORMATION

## Batteries



For EU: The crossed-out wheeled bin implies that used batteries should not be put to the general household waste! There is a separate collection system for used batteries, to allow proper treatment and recycling in accordance with legislation.

Please contact your local authority for details on the collection and recycling schemes.

For Switzerland: The used battery is to be returned to the selling point.

For other non-EU countries: Please contact your local authority for correct method of disposal of the used battery.

According to EU directive 2006/66/EC, the battery can't be disposed improperly. The battery shall be separated to collect by local service.

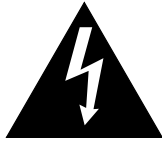
## Turkey RoHS

Türkiye Cumhuriyeti: EEE Yönetmeliğine Uygundur.



## Ukraine RoHS

Обладнання відповідає вимогам Технічного регламенту щодо обмеження використання деяких небезпечних речовин в електричному та електронному обладнанні, затвердженого постановою Кабінету Міністрів України від 3 грудня 2008 № 1057.

# PRECAUTIONS



## Symbols used in this manual

	This icon indicates the existence of a potential hazard that could result in personal injury or damage to the product.
	This icon indicates important operating and servicing information.

## Notice

- Read this User Manual carefully before using the LCD display and keep it for future reference.
- The product specifications and other information provided in this User Manual are for reference only. All information is subject to change without notice. Updated content can be downloaded from our web site at <http://www.agneovo.com>.
- To register online, go to <http://www.agneovo.com>.
- To protect your rights as a consumer, do not remove any stickers from the LCD display. Doing so may affect the determination of the warranty period.

## Cautions When Setting Up

- Do not place the LCD display near heat sources, such as a heater, exhaust vent, or in direct sunlight.
- Do not cover or block the ventilation holes in the housing.
- Place the LCD display on a stable area. Do not place the LCD display where it may subject to vibration or shock.
- Place the LCD display in a well-ventilated area.
- Do not place the LCD display outdoors.
- To avoid the risk of shock or permanent damage to the set, do not expose the display to dust, rain, water or an excessively moist environment.
- Do not spill liquid or insert sharp objects into the LCD display through the ventilation holes. Doing so may cause accidental fire, electric shock or damage the LCD display.

# PRECAUTIONS

## Cautions When Using

- Use only the power cord supplied with the LCD display.
- The power outlet should be installed near the LCD display and be easily accessible.
- If an extension cord is used with the LCD display, ensure that the total current consumption plugged into the power outlet does not exceed the ampere rating.
- Do not allow anything to rest on the power cord. Do not place the LCD display where the power cord may be stepped on.
- If the LCD display will not be used for an indefinite period of time, unplug the power cord from the power outlet.
- To disconnect the power cord, grasp and pull by the plug head. Do not tug on the cord; doing so may cause fire or electric shock.
- Do not unplug or touch the power cord with wet hands.
- When turning off the display by detaching the power cord, wait 6 seconds before re-attaching the power cord for normal operation.
- Do not knock or drop the display during operation or transportation.

## Cleaning and Maintenance

- To protect your display from possible damage, do not put excessive pressure on the LCD panel. When moving your display, grasp the frame to lift; do not lift the display by placing your hand or fingers on the LCD panel.
- Unplug the display if you need to clean it with a slightly damp cloth. The screen may be wiped with a dry cloth when the power is off. However, never use organic solvent, such as, alcohol, or ammonia-based liquids to clean your display.
- If your display becomes wet, wipe it with dry cloth as soon as possible.
- If a foreign substance or water gets in your display, turn the power off immediately and disconnect the power cord. Then remove the foreign substance or water, and send the unit to the maintenance center.
- In order to maintain the best performance of your display and ensure a longer lifetime, we strongly recommend using the display in a location that falls within the following temperature and humidity ranges.
  - ◆ Temperature: 0-40°C (32-104°F)
  - ◆ Humidity: 20-80% RH



### Warning:



Unplug the power cord from the power outlet and refer to qualified service

personnel under the following conditions:

- ◆ When the power cord is damaged.
- ◆ If the LCD display has been dropped or the housing has been damaged.
- ◆ If the LCD display emits smoke or a distinct odor.

# PRECAUTIONS

## Notice for the LCD Display

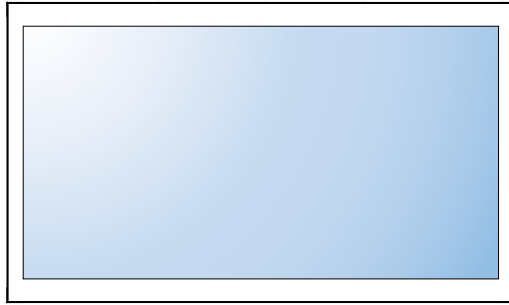
- In order to maintain the stable luminous performance, it is recommended to use low brightness setting.
- Due to the lifespan of the lamp, it is normal that the brightness quality of the LCD display may decrease with time.
- When static images are displayed for long periods of time, the image may cause an imprint on the LCD display. This is called image retention or burn-in.
  - ◆ To prevent image retention, do any of the following:
    - Set the LCD display to turn off after a few minutes of being idle.
    - Use a screen saver that has moving graphics or a blank white image.
    - Execute the ANTI-BURN-IN function of the LCD display. See “ANTI Burn in” on page 36.
    - Switch desktop backgrounds regularly.
    - Adjust the LCD display to low brightness settings.
    - Turn off the LCD display when the system is not in use.
  - ◆ Things to do when the LCD display shows image retention:
    - Turn off the LCD display for extended periods of time. It can be several hours or several days.
    - Use a screen saver and run it for extended periods of time.
    - Use a black and white image and run it for extended periods of time.
- There are millions of micro transistors inside the LCD display. It is normal for a few transistors to be damaged and to produce spots. This is acceptable and is not considered a failure.
- **IMPORTANT:** Always activate a moving screen saver program when you leave your display unattended. Always activate a periodic screen refresh application if the unit will display unchanging static content. Uninterrupted display of still or static images over an extended period may cause “burn in”, also known as “after-imaging” or “ghost imaging”, on your screen. This is a well-known phenomenon in LCD panel technology. In most cases, the “burned in” or “after-imaging” or “ghost imaging” will disappear gradually over a period of time after the power has been switched off.
- **WARNING:** Severe “burn-in” or “after-image” or “ghost image” symptoms will not disappear and cannot be repaired. This is also not covered under the terms of your warranty.

# CHAPTER 1: PRODUCT DESCRIPTION

## 1.1 Package Contents

When unpacking, check if the following items are included in the package. If any of them is missing or damaged, contact your dealer.

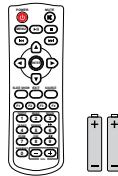
**LCD Display**



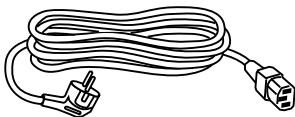
**Quick start guide**



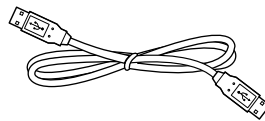
**Remote control**



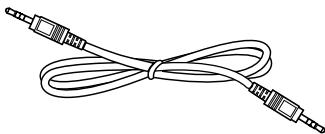
**Power cord**



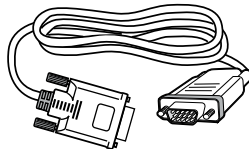
**USB cable**



**Audio cable**



**VGA cable**



### Note:

- ◆ Remote control is shipped with the supplied AAA batteries.
- ◆ For all other regions, apply a power cord that conforms to the AC voltage of the power socket and has been approved by and complies with the safety regulations of the particular country.
- ◆ You might like to save the package box and packing material for shipping the display.

### Note:

- ◆ The pictures are for reference only. Actual items may vary upon shipment.

# PRODUCT DESCRIPTION

## 1.2 Preparing for the Installation

- Due to the high power consumption, always use the plug exclusively designed for this product. If an extended line is required, please consult your service agent.
- The product should be installed on a flat surface to avoid tipping. The distance between the back of the product and the wall should be maintained for proper ventilation. Avoid installing the product in the kitchen, bathroom or any other places with high humidity so as not to shorten the service life of the electronic components.
- The product can normally operate only under 5000m in altitude. In installations at altitudes above 3000m, some abnormalities may be experienced.

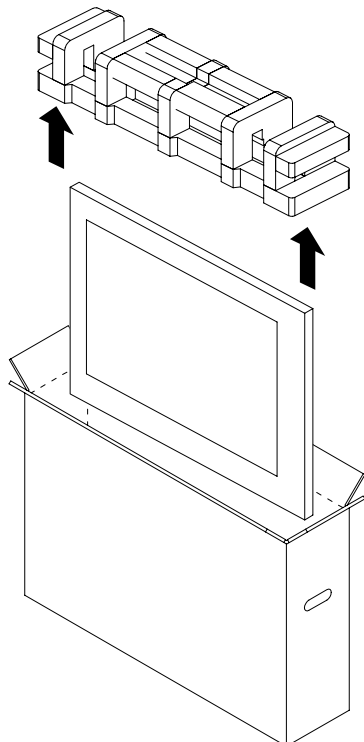
## 1.3 Moving the Display

### 1.3.1 Unpacking the Display

Before unpacking the display, prepare a flat and stable surface near a wall outlet. Set the product box in an upright position according to the arrow markings on the outside of the product box.

- 1 Open the product box from the top of the box.
- 2 Take the accessories out and remove the top cushion.
- 3 Hold the display by the sides firmly with two people to remove the display from the box.

Do not grasp the display by the touch screen.



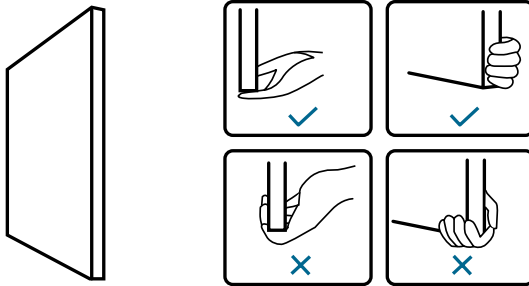
#### Warning:

- ◆ Do not press too hard on the LCD panel or edge of the frame, as this may cause the device to malfunction.
- ◆ During unpacking, make sure to hold the carrying handles to remove the device from its packaging.

# PRODUCT DESCRIPTION

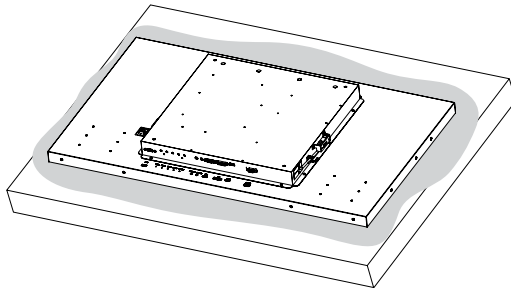
## 1.3.2 Carrying the Display

When carrying the display, always hold it with two people using both hands and the touch screen facing forward.



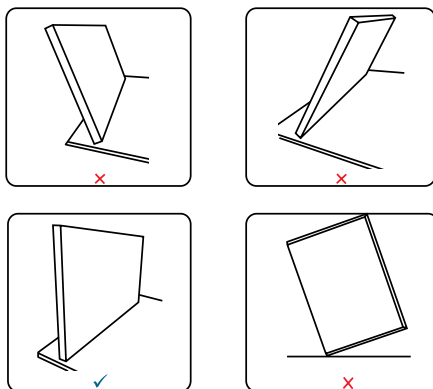
## 1.3.3 Setting Down the Display

When setting the display down, place the screen face down on a flat and stable surface covered by a protective sheet and a table cushion as shown in the illustration provided.



## 1.3.4 Placing the Display

When placing the display, keep the display upright. Never tilt the display towards the left, right or balanced on a single corner of the frame.



### Caution:

- ◆ Avoid applying force or using sharp objects on the LCD panel at all times.



### Caution:

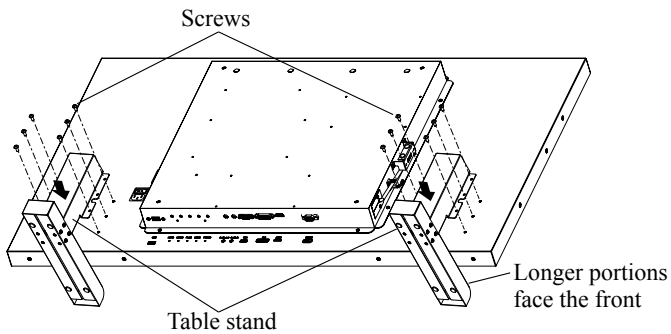
- ◆ Never press or place anything on the back cover. This may damage the internal parts of the display.

# PRODUCT DESCRIPTION

## 1.4 Installing and Removing Table Stands (optional)

To install table stands:

- 1 Ensure your display is powered off.
- 2 Spread a protective sheet on a flat surface.
- 3 Carefully place the display face-down on the protective sheet.
- 4 Align the stand by the screw holes and then tighten the supplied screws on both sides of the display.



To remove table stands:

- 1 Power off the display.
- 2 Spread a protective sheet on a flat surface.
- 3 Carefully place the display face-down on the protective sheet.
- 4 Remove screws using a screwdriver and place them in a safe place for reuse.

### Note:

- ◆ The longer side of the stand should face the front of the display.

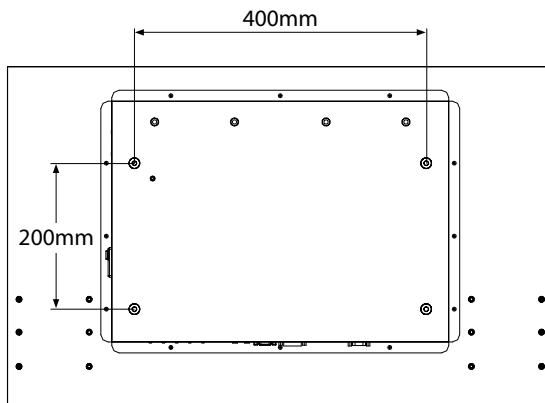


# PRODUCT DESCRIPTION

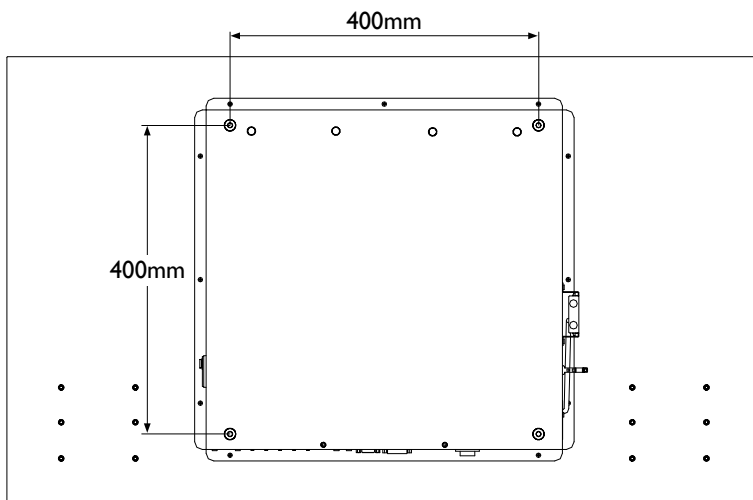
## 1.5 Wall Mounting Installation

To mount this display to a wall, you will have to obtain a standard wall-mounting kit (commercially available). We recommend using a mounting interface that complies with TUV-GS and/or UL1678 standard in North America.

To wall-mount the LCD display, screw the mounting bracket to the VESA holes at the rear of the LCD display.



**TX-32P**



**TX-42P**

### 1.5.1 VESA Grid

Model Name	VESA Grid
TX-32P	400(H) x 200(V) mm
TX-42P	400(H) x 400(V) mm

#### Note:

- ◆ Avoid the wall-mounting kit to block the ventilation holes on the back of the display.
- ◆ Secure the LCD display on a solid wall strong enough to bear its weight.
- ◆ Lay a protective sheet on a table, which was wrapped around the display when it was packaged, beneath the screen surface so as not to scratch the screen face.
- ◆ Ensure you have all accessories for mounting this display (wall mount, ceiling mount, table stand, etc).
- ◆ Follow the instructions that come with the base mounting kit. Failure to follow correct mounting procedures could result in damage to the equipment or injury to the user or installer. Product warranty does not cover damage caused by improper installation.
- ◆ For the wall-mounting kit, use M6 mounting screws (having a length 10 mm longer than the thickness of the mounting bracket) and tighten them securely.
- ◆ Unit weight= 12.5 kg (TX-32P) or 24.5 kg (TX-42P). The equipment and its associated mounting means still remain secure during the test. For use only with UL Listed Wall Mount Bracket with minimum weight/load: 18.0 kg (TX-32P) or 32.4 kg (TX-42P).

# PRODUCT DESCRIPTION

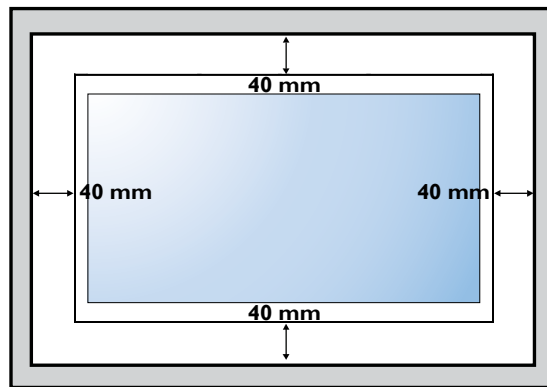
## Caution:

To prevent the display from falling:

- ◆ For wall or ceiling installation, we recommend installing the display with metal brackets which are commercially available. For detailed installation instructions, refer to the guide received with the respective bracket.
- ◆ To lessen the probability of injury and damage resulting from fall of the display in case of earthquake or other natural disaster, be sure to consult the bracket manufacturer for installation location.

## 1.5.2 Ventilation Requirements for Enclosure Locating

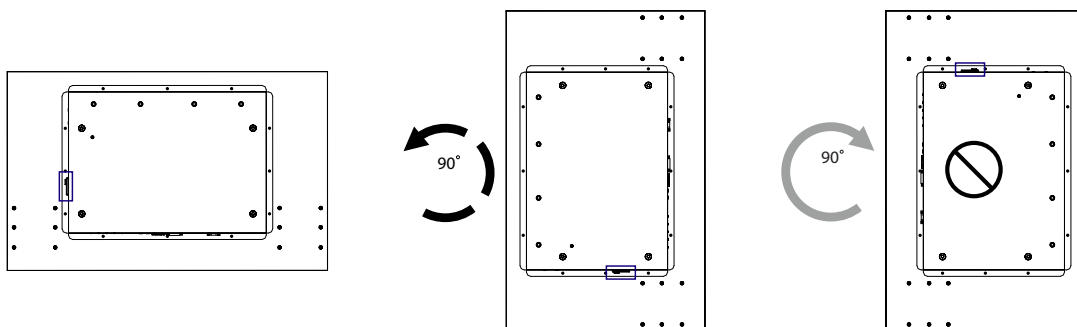
To allow heat to disperse, leave space between surrounding objects as shown in the diagram below.



## 1.6 Mounting in Portrait Position

This display can be installed in portrait position.

- 1 Remove the table stand, if attached.
- 2 Rotate 90 degrees counter-clockwise such that the main power switch on the back of the display is pointing downward (as illustrated below).



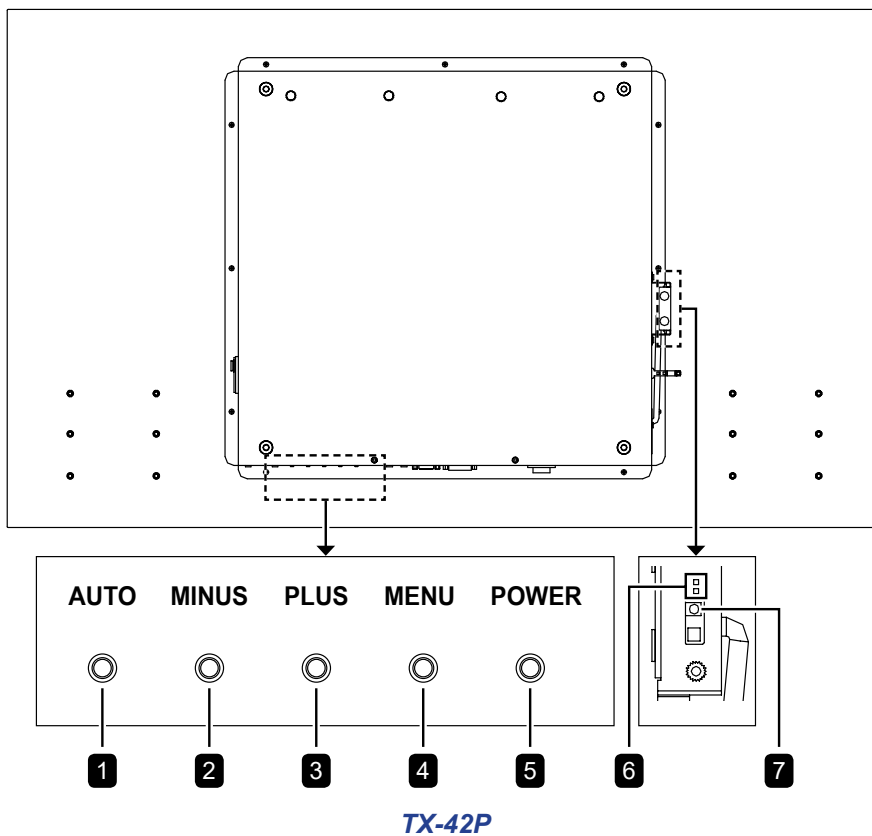
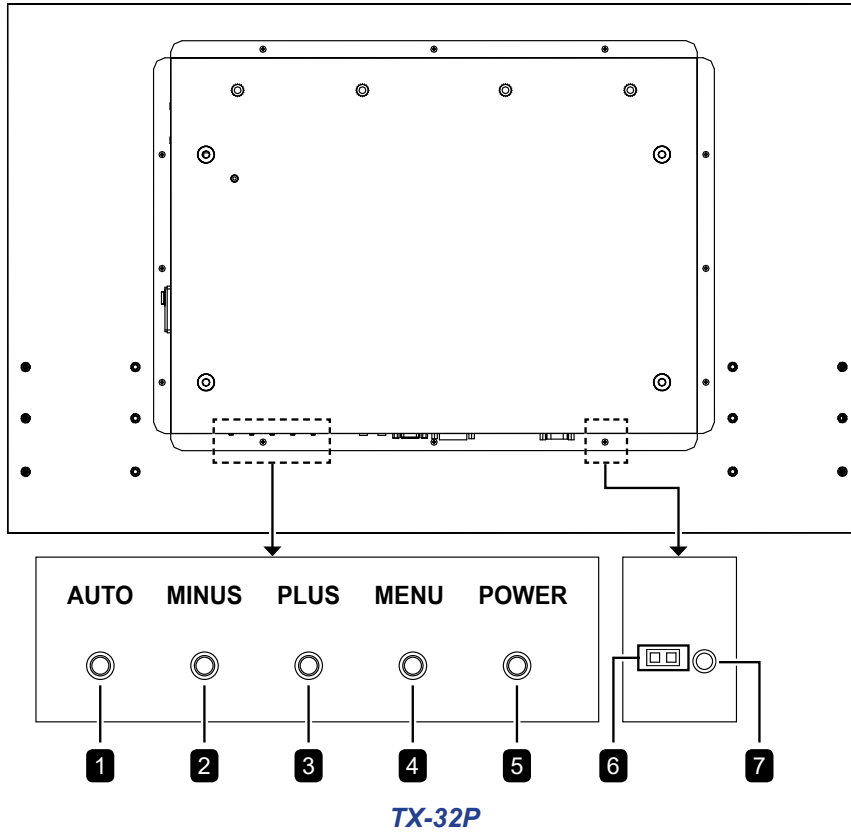
## Note:

- ◆ Before mounting, make sure there is space to connect your devices. See “CHAPTER 2: MAKING CONNECTIONS” on page 22.

# PRODUCT DESCRIPTION

## 1.7 LCD Display Overview

### 1.7.1 Control Panel



# PRODUCT DESCRIPTION

## 1 AUTO

- Automatically selects the video input source when the OSD menu is off.
- Exits the current menu when the OSD menu is on.

## 2 MINUS

- Decreases the audio output level while OSD menu is off.
- Navigates through the OSD menu items.
- Decreases the adjustment while OSD menu is on.

## 3 PLUS

- Increases the audio output level while OSD menu is off.
- Navigates through the OSD menu items.
- Increases the adjustment while OSD menu is on.

## 4 MENU

- Displays the On Screen Display (OSD) menu.
- Selects items or accepts the settings made in the OSD menu.

## 5 POWER

Turns the power on/off.

### Note:

- ◆ **POWER** button does not function if the **Main Power** switch is off.

## 6 IR sensor indicator

Displays the status of the IR sensor.

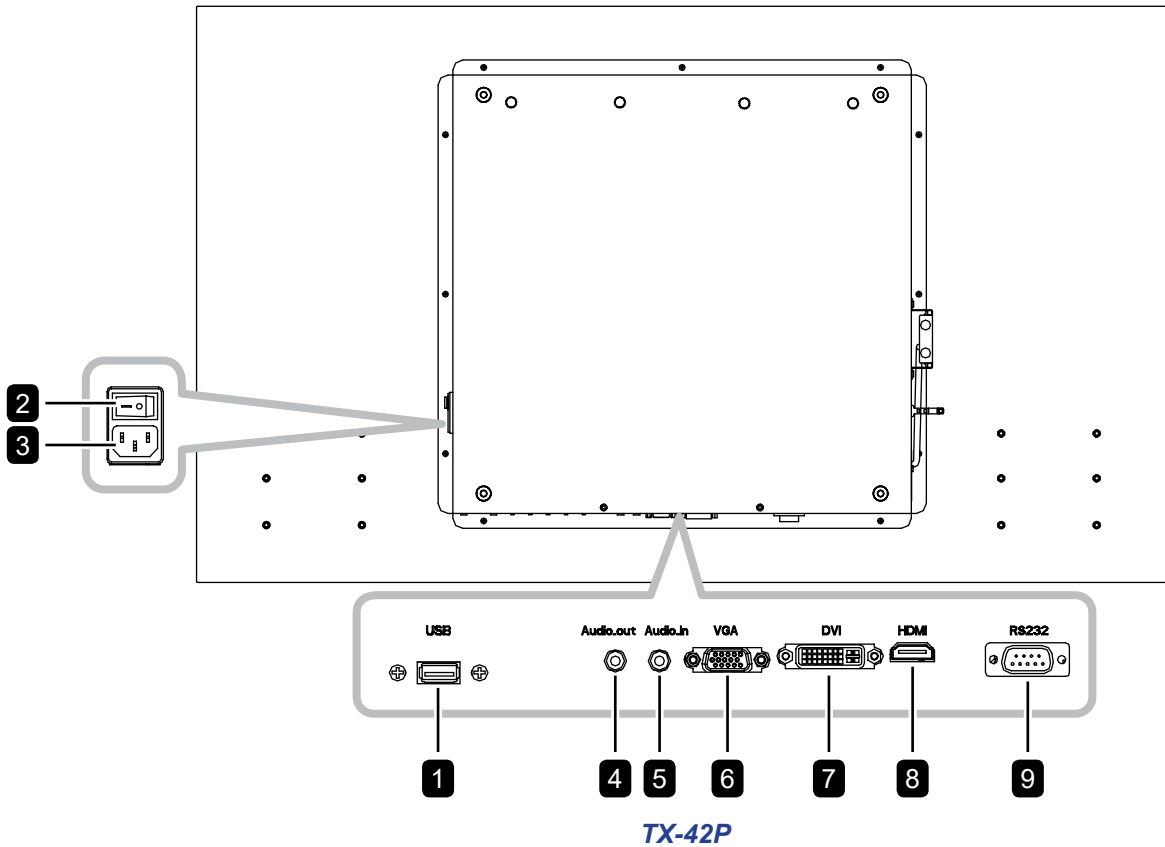
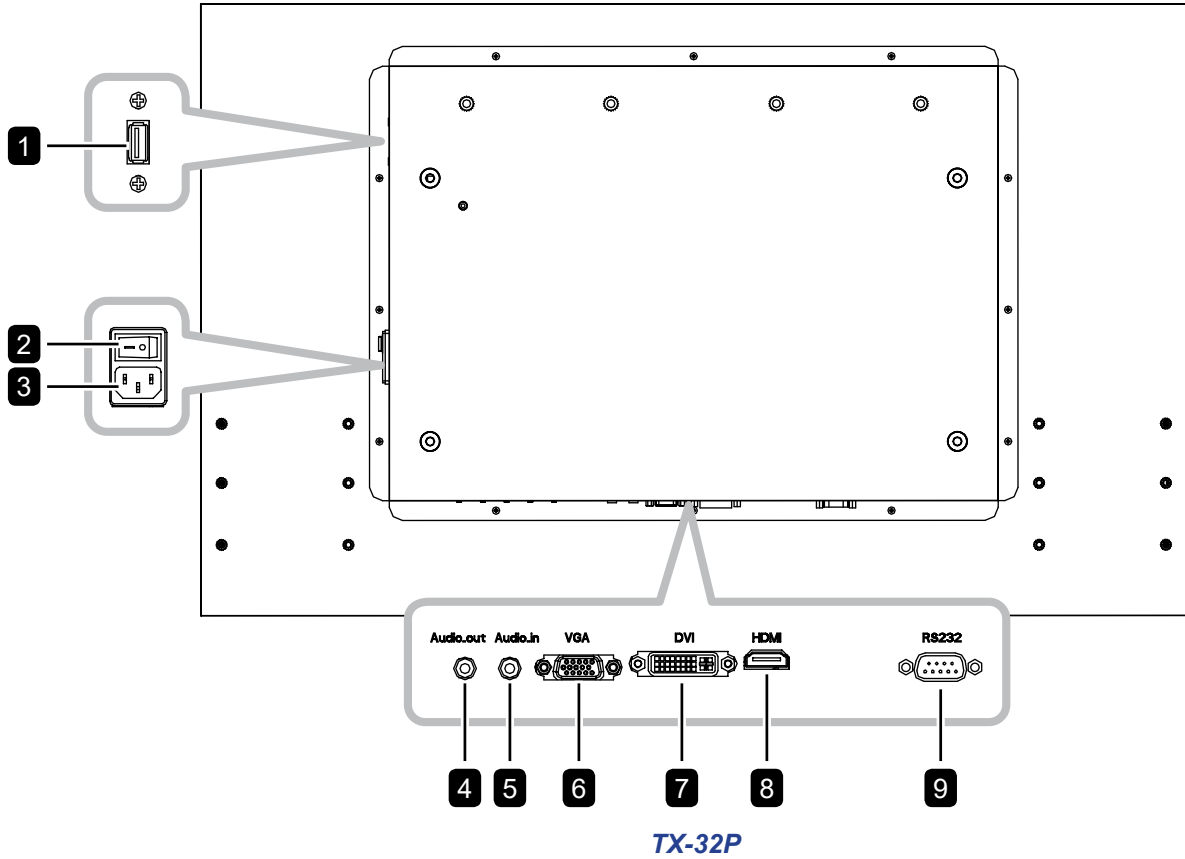
- Green: The display's power is on.
- Red: The display is in Stand-by mode.
- Off: The display's power is off.

## 7 IR sensor

Receives the signal from the remote control.

# PRODUCT DESCRIPTION

## 1.7.2 Input/Output Terminals



# PRODUCT DESCRIPTION

## **1 USB**

Connects with a host computer using a USB cable for touch screen support.

## **2 Main Power switch**

Switches the main power on or off.

## **3 AC-IN**

Connects with the supplied power cord.

## **4 Audio out**

- Outputs the audio that is supplied by the video source.
- Connects with an external audio amplifier, or other applicable audio devices.

### **Note:**

- ◆ Headphones and earphones are not supported.

## **5 Audio in**

Connects with the audio out connector of a video source such as a computer, VCR, or DVD player when the display is connected to the source via the VGA or DVI connector.

## **6 VGA**

Connects with the analog video output (VGA) of a computer.

## **7 DVI**

Connects with the digital video output of a computer, and other applicable devices.

## **8 HDMI**

Connects with devices supporting audio/video data using the HDMI interface.

## **9 RS232**

Connects with the serial IO connector of another device.

# PRODUCT DESCRIPTION

## 1.8 Remote Control

### 1.8.1 General Functions

#### 1 [POWER] POWER

Turns the display on or off.

#### Note:

- ◆ If the power indicator is not lit then the controls will not function.

#### 2 MENU

Displays the OSD menu. Please refer to page 33.

#### 3 [LEFT] [RIGHT] [UP] [DOWN] NAVIGATION buttons

Navigates through menus, selects items, and adjusts values.

#### 4 EXIT

Exits the current menu.

#### 5 ENTER

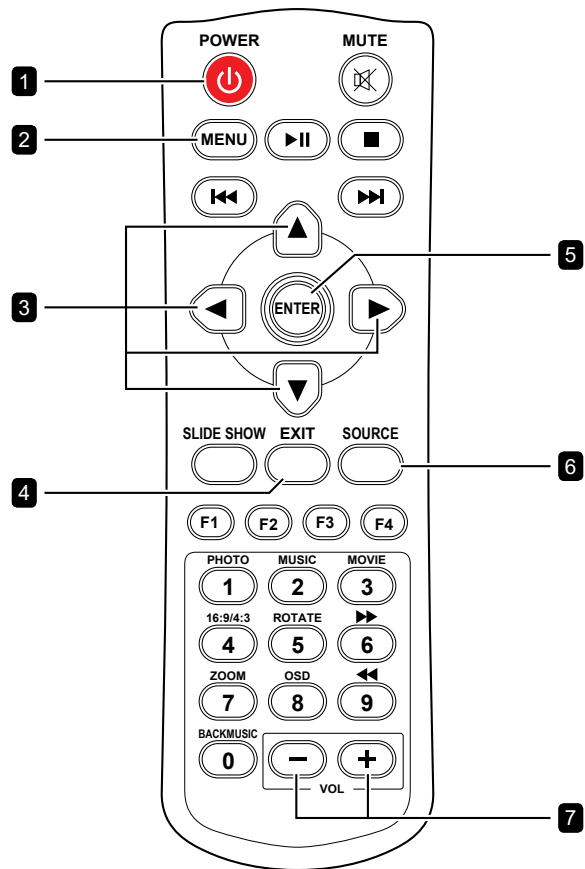
Selects items or accepts the settings made in the OSD menu.

#### 6 SOURCE

Switches the video input source. Use the [UP] [DOWN] buttons to select [HDMI], [DVI], or [VGA] and press the **ENTER** button to confirm the selection.

#### 7 [−] [+] VOL

- Press [−] to decrease volume.
- Press [+] to increase volume.



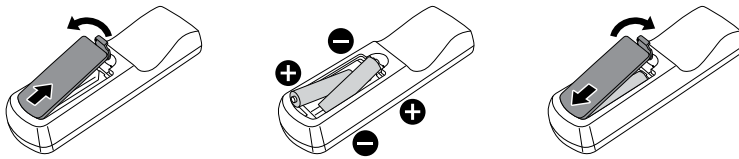
# PRODUCT DESCRIPTION

## 1.8.2 Inserting the Batteries in the Remote Control

The remote control is powered by two 1.5V AAA batteries.

To install or replace batteries:

- 1 Open the remote control battery compartment cover.
- 2 Align the batteries according to the (+) and (-) indications inside the battery compartment.
- 3 Replace the cover.



## 1.8.3 Handling the Remote Control

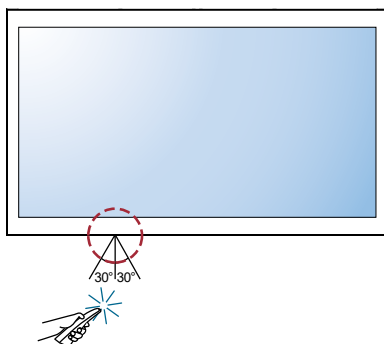
- Do not subject to strong shock.
- Do not allow water or other liquid to splash the remote control. If the remote control gets wet, wipe it dry immediately.
- Avoid exposure to heat and steam.
- Other than to install the batteries, do not open the remote control.

## 1.8.4 Operating Range of the Remote Control

Point the top of the remote control toward the display's remote control sensor when pressing a button.

Use the remote control within the range which is shown in the following table.

Model	Operation Angle	RC operational distance
TX-32P	$\theta = \pm 30^\circ$ (for H & V)	$\leq 3\text{m}$
TX-42P	$\theta = \pm 30^\circ$ (for H & V)	$\leq 1\text{m}$



### Caution:

The incorrect use of batteries can result in leaks or bursting. Be sure to follow these instructions:

- ◆ Place “AAA” batteries matching the (+) and (-) signs on each battery to the (+) and (-) signs of the battery compartment.
- ◆ Do not mix battery types.
- ◆ Do not combine new batteries with used ones. It causes shorter life or leakage of batteries.
- ◆ Remove the dead batteries immediately to prevent them from liquid leaking in the battery compartment. Don't touch exposed battery acid, as it can damage your skin.

### Note:

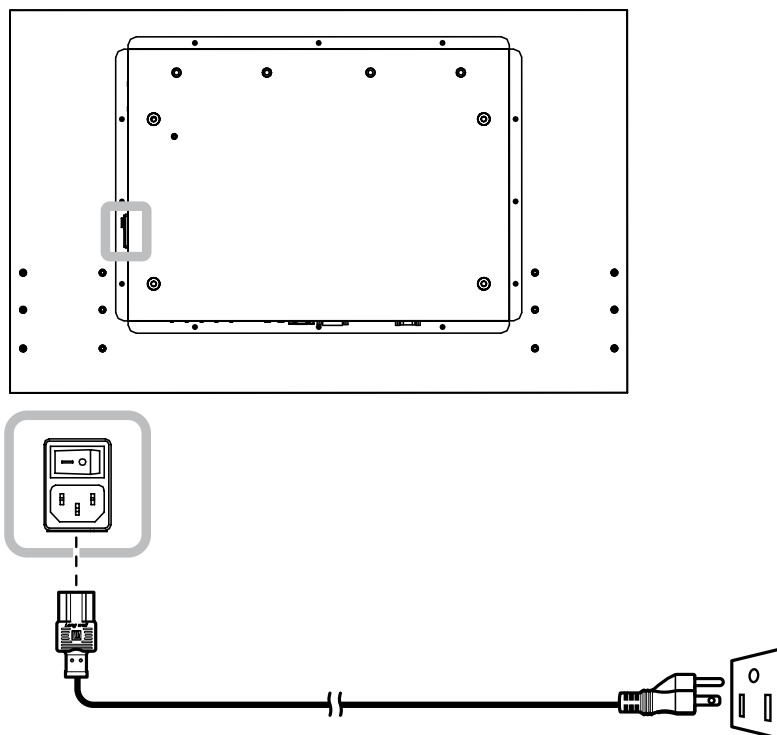
- ◆ If you do not intend to use the remote control for a long period, remove the batteries.
- ◆ The remote control may not function properly when the remote control sensor on this display is under direct sunlight or strong illumination, or when there is an obstacle in the path of signal transmission.



# CHAPTER 2: MAKING CONNECTIONS

## 2.1 Connecting the Power

- 1 Connect one end of the power cord to the AC IN connector at the side of the LCD display.
- 2 Connect the other end of the power cord to a power outlet or a power supply.
- 3 Set the **Main Power** switch to ON.



### Caution:

- ◆ Make sure that the LCD display is not connected to the power outlet before making any connections. Connecting cables while the power is ON may cause electric shock or personal injury.
- ◆ When unplugging the power cord, hold the power cord by the plug head. Never pull by the cord.
- ◆ Loose connections may cause noise. Do not plug and unplug the power cord repeatedly in a short period of time.
- ◆ When disconnecting the AC power cord, be sure to first disconnect the plug from the outlet socket.

### Note:

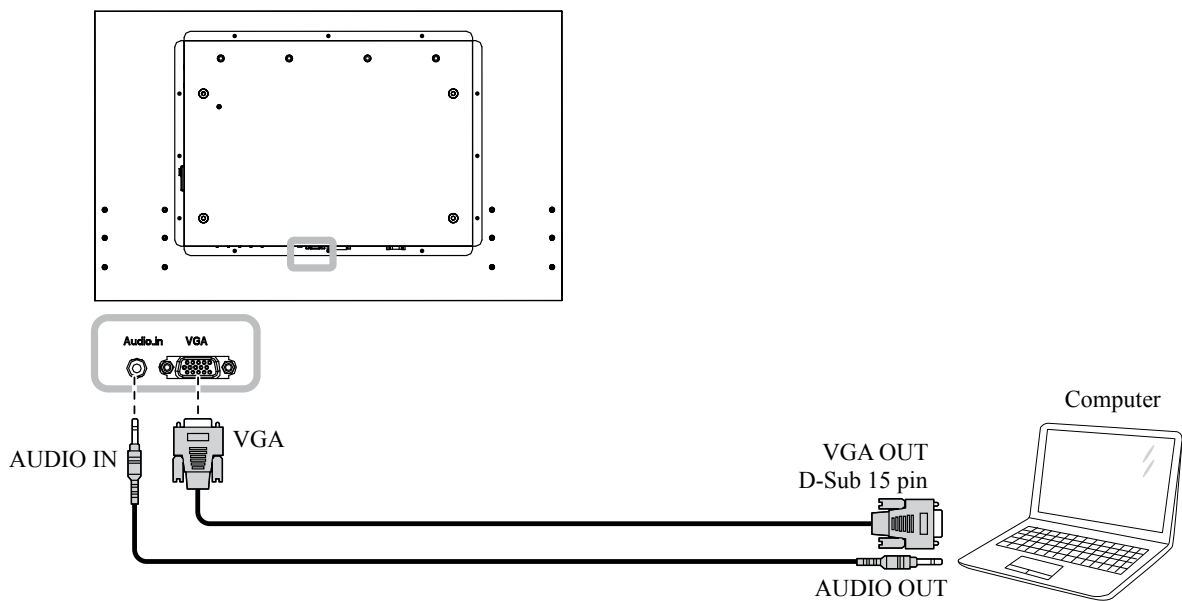
- ◆ The supplied power cord varies depending on the country where you purchased this LCD display. For all cases, use a power cord that matches the AC voltage of the power outlet and has been approved by and complies with the safety standard of your country.

# MAKING CONNECTIONS

## 2.2 Connecting a Computer

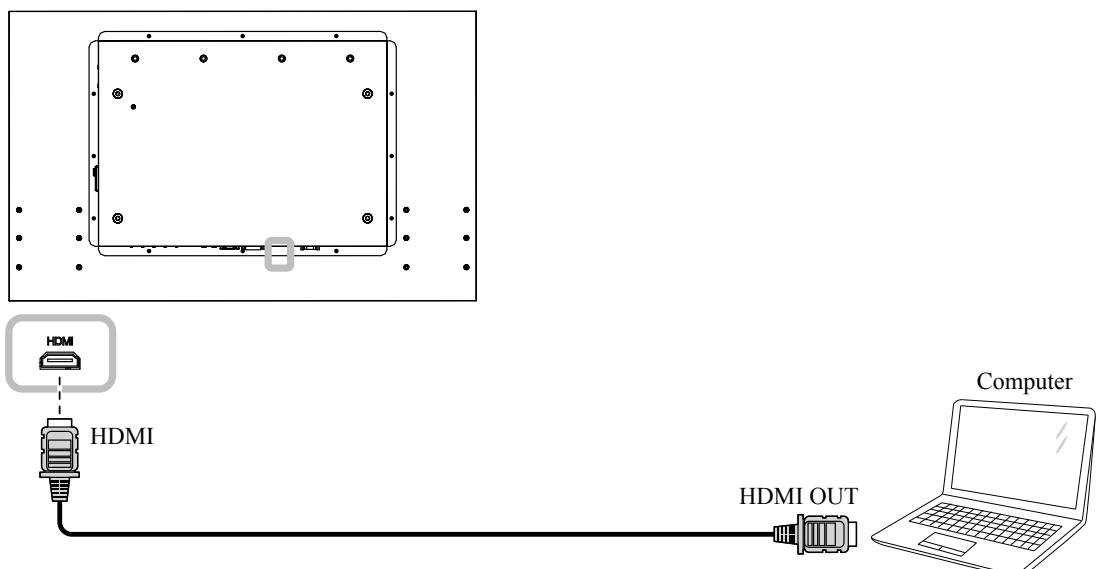
### 2.2.1 Using VGA Input

- 1 Connect one end of a D-sub cable to the VGA connector of the LCD display and the other end of a D-sub cable to the VGA OUT (D-Sub) connector of the computer.
- 2 For audio input, connect one end of an audio cable to the AUDIO IN connector of the LCD display and the other end of an audio cable to the AUDIO OUT connector of the computer.
- 3 Press the **SOURCE** button on the remote control to select the video input source (D-SUB).



### 2.2.2 Using HDMI Input

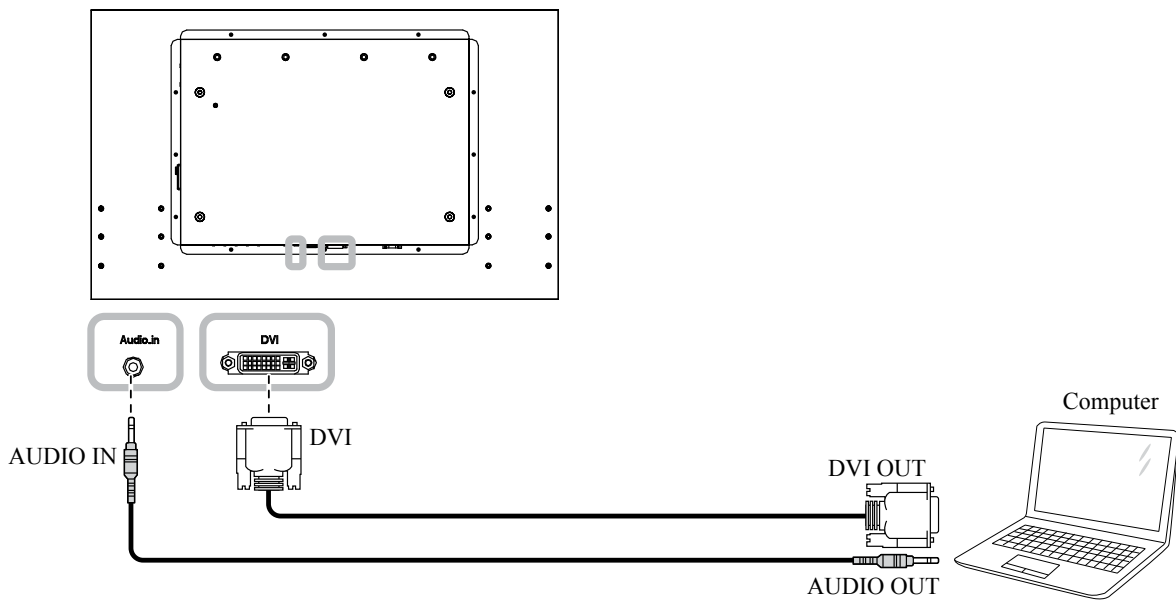
Connect one end of an HDMI cable to the HDMI connector of the LCD display and the other end of an HDMI cable to the HDMI OUT connector of the computer.



# MAKING CONNECTIONS

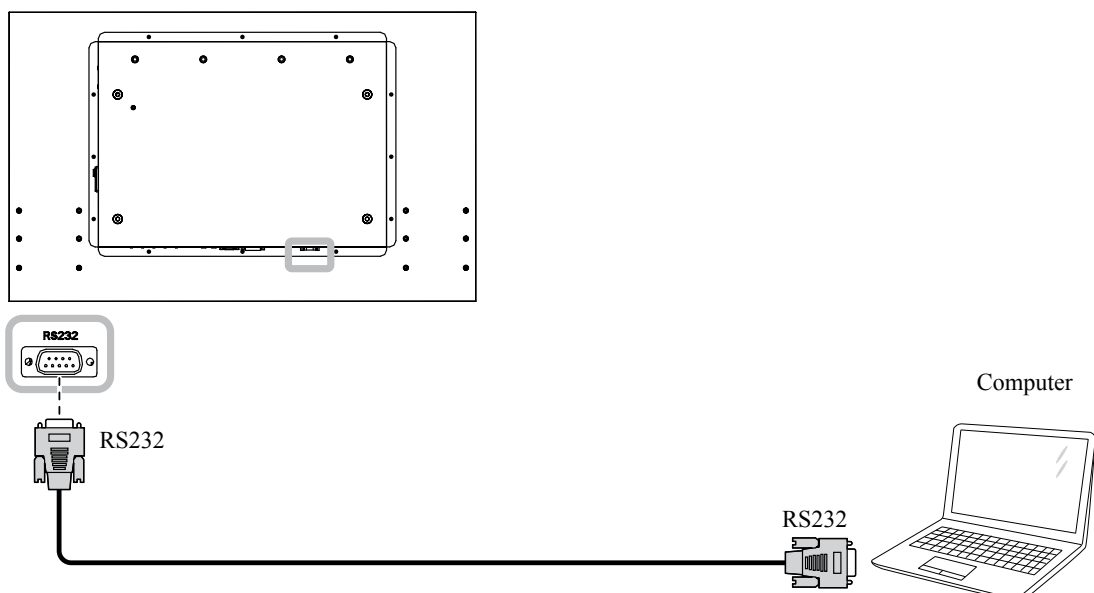
## 2.2.3 Using DVI Input

- 1 Connect one end of a DVI cable to the DVI connector of the LCD display and the other end of a DVI cable to the DVI OUT connector of the computer.
- 2 For audio input, connect one end of an audio cable to the AUDIO IN connector of the LCD display and the other end of an audio cable to the AUDIO OUT connector of the computer.
- 3 Press the **SOURCE** button on the remote control to select the video input source (DVI). Once selected, the audio input setting will automatically switch to the correct audio source for the video connection.



## 2.2.4 Using RS232 Input

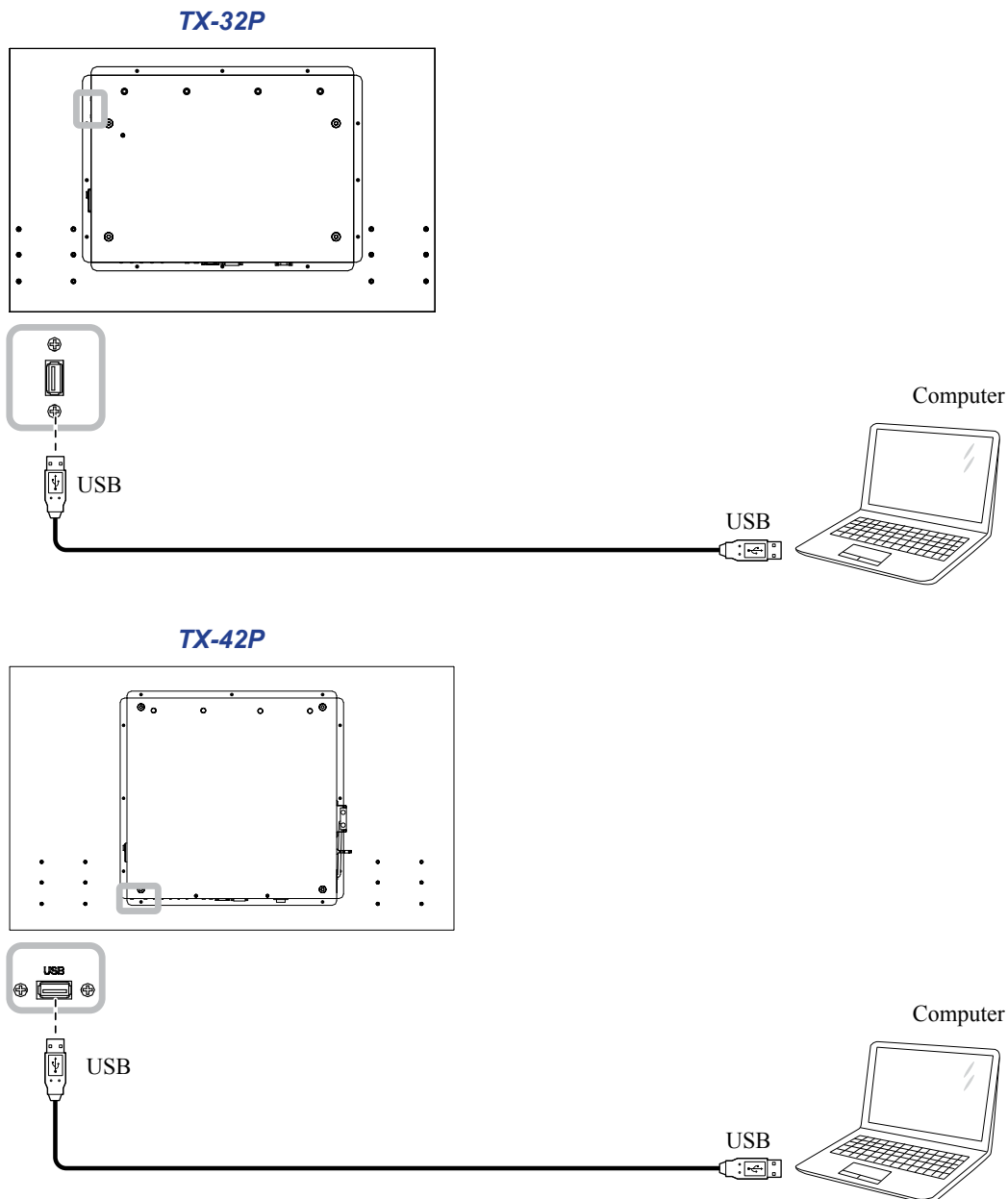
Connect one end of a RS232 serial cable to the RS232 connector of the LCD display and the other end of an RS232 serial cable to the RS232 connector of the computer.



# MAKING CONNECTIONS

## 2.2.5 Using the Touch Screen

LCD display has touch screen functionality which allows you to connect a computer to the display and control the computer's interface via touch gestures on the display. To use this touch screen function, connect the USB cable to the USB port of the display and a computer. After completing the driver installation, you can operate the computer by tapping, swiping, or scrolling the display.



### Note:

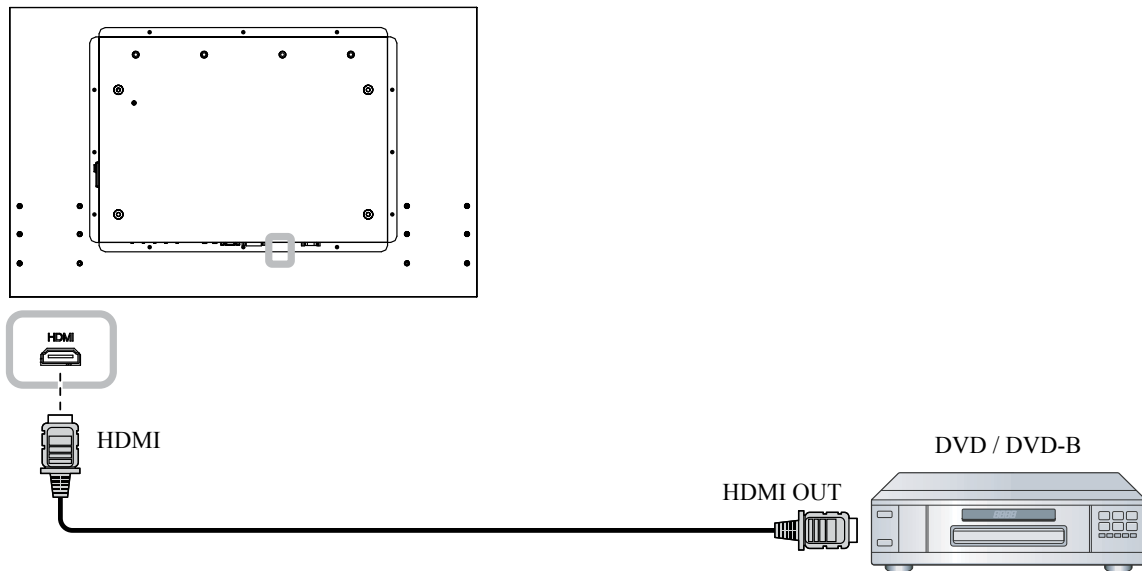
- ◆ The touch driver will be installed automatically for the systems running Microsoft Windows 7, Windows 8, Windows 10, Linux 2.6/3.6, Mac OS, OSX, and Android (2.3 or above).
- ◆ Certain touch gestures, such as zoom-in, zoom-out and rotate, may not work depending on the application or software your computer supports.
- ◆ This USB port works only for the touch screen functionality and does not support the external USB devices, such as MP3, printer, and hard drive, or other devices.

# MAKING CONNECTIONS

## 2.3 Connecting External Equipment (DVD / DVD-B)

### 2.3.1 Using HDMI Video Input

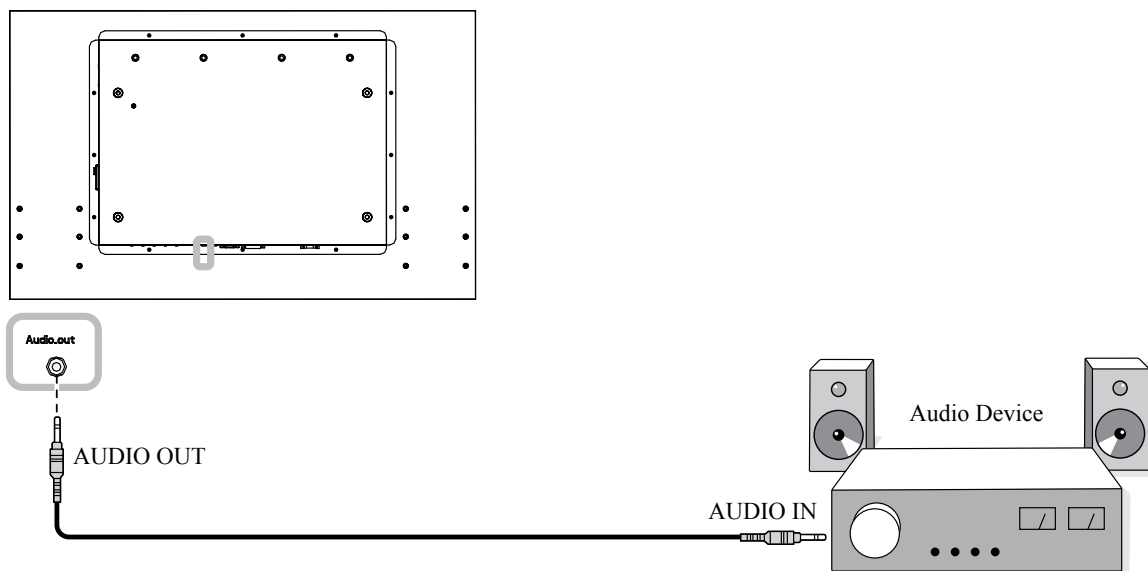
Connect one end of an HDMI cable to the HDMI connector of the LCD display and the other end of an HDMI cable to the HDMI OUT connector of the video player (DVD / DVD-B).



## 2.4 Connecting Audio Equipment

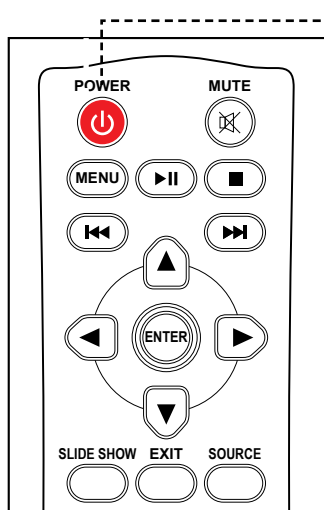
### 2.4.1 Connecting an External Audio Device


Connect one end of an audio cable to the AUDIO OUT connector of the LCD display and the other end of an audio cable to the AUDIO IN connector of the audio device.




# CHAPTER 3: USING THE LCD DISPLAY

## 3.1 Turning on the Power



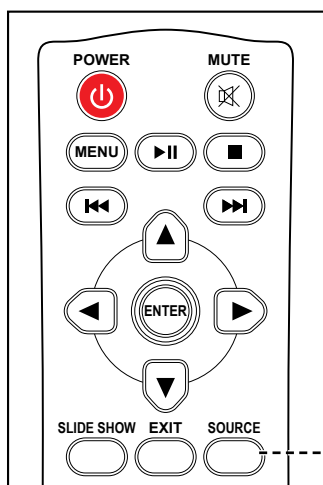
- 1 Plug the power cord to a power outlet or power supply.
- 2 Set the **Main Power** switch to ON.
- 3 Press the  button to turn the LCD display on.



When the LCD display is turned on, press the  button to turn off the LCD display.

### Note:

- ◆ The LCD display still consumes power as long as the power cord is connected to the power outlet. Disconnect the power cord to completely cut off power.

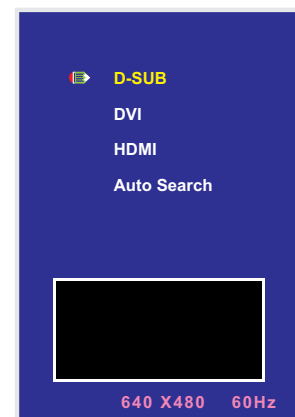
## 3.2 Selecting the Input Source Signal



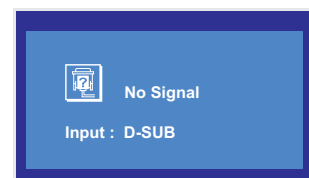
- 1 Press the **SOURCE** button.
- 2 Press the  or  button to choose the input source, then press the **ENTER** button.

### Note:

- ◆ If no input source is detected, after pressing the **MENU** button, a menu with available input sources will be displayed on the screen.

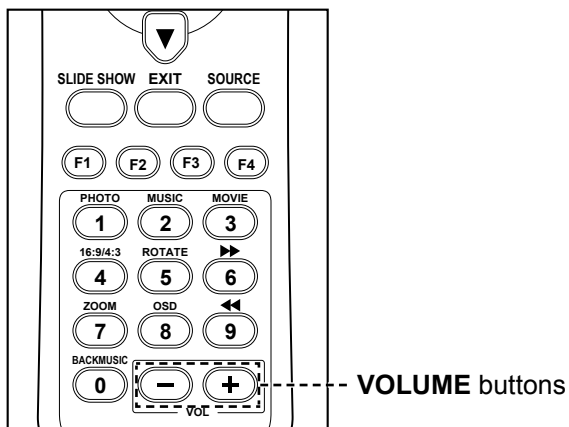


- ◆ If the selected input source signal is not connected to the LCD display or is turned off, the no signal message is displayed on the screen.



# USING THE LCD DISPLAY

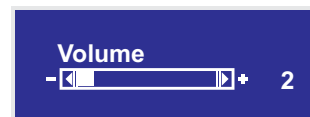
## 3.3 Adjusting the Volume



Press the — or + button to adjust the volume.

### Note:

- ◆ After pressing the — or + button, the volume adjustment bar is displayed on the screen automatically.



- ◆ Press the **MUTE** button to mute the audio.

# USING THE LCD DISPLAY

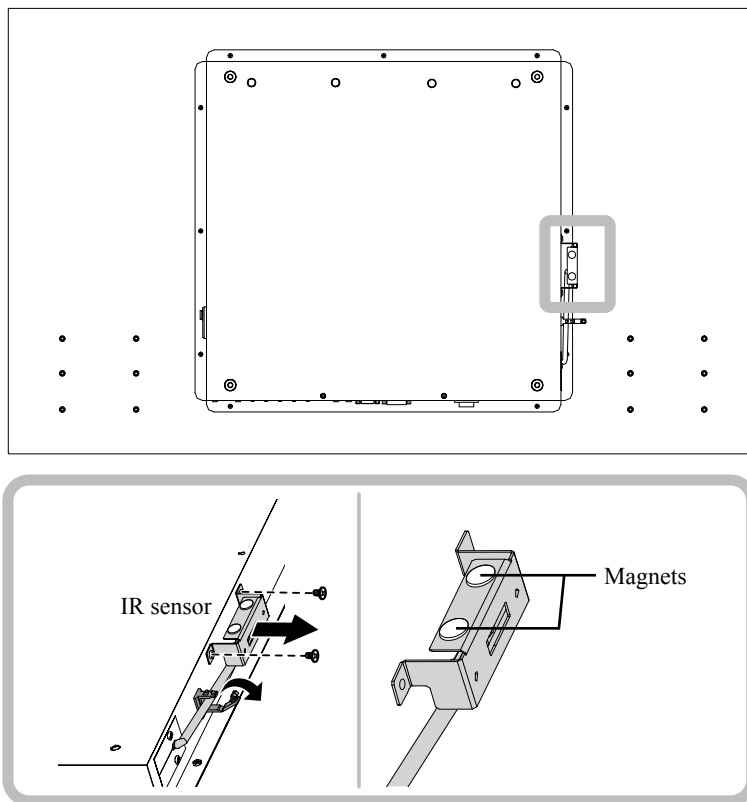
## 3.4 Setting Up the IR Sensor (For TX-42P only)

Before using the remote control, the IR sensor must be positioned correctly. The IR sensor is located on the right side of the rear of the display as illustrated below.

To set up the IR sensor, do the following:

- 1 Remove the two screws securing the IR sensor to the LCD display and loosen the IR sensor.
- 2 Unthread the cables from the cable clip.
- 3 Attach the IR sensor to the desired position on display using the magnets located on the sensor.

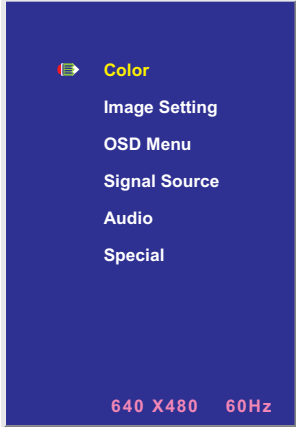

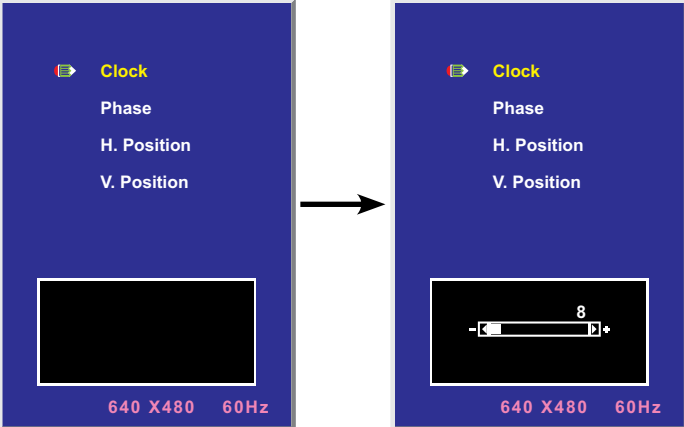
Reverse the steps to return the sensor to its original position.





# CHAPTER 4: ON SCREEN DISPLAY MENU

## 4.1 Using the OSD Menu

#	Menu Navigation	Control Panel	Remote Control
1	<p>Display the main menu screen.</p> 	<p>Press the <b>MENU</b> button.</p>	
2	<p>Enter the submenu.</p>  <p>The highlighted item (yellow) indicates the active menu item.</p>	<ol style="list-style-type: none"> <li>1 Press the <b>PLUS</b> or <b>MINUS</b> button to select the main menu item.</li> <li>2 Press the <b>MENU</b> button to enter the submenu.</li> </ol>	<ol style="list-style-type: none"> <li>1 Press the <b>▲</b> or <b>▼</b> button to select the main menu item.</li> <li>2 Press the <b>ENTER</b> button to enter the submenu.</li> </ol>
3	<p>Adjust the settings.</p> <p>The highlighted item indicates the active submenu.</p> <p>For example:</p> 	<ol style="list-style-type: none"> <li>1 Press the <b>PLUS</b> or <b>MINUS</b> button to select the submenu item.</li> <li>2 Press the <b>MENU</b> button to enter the adjustment mode.</li> <li>3 Press the <b>PLUS</b> or <b>MINUS</b> button to adjust the settings.</li> </ol>	<ol style="list-style-type: none"> <li>1 Press the <b>▲</b> or <b>▼</b> button to select the submenu item.</li> <li>2 Press the <b>ENTER</b> button to enter the adjustment mode.</li> <li>3 Press the <b>▲</b> or <b>▼</b> button to adjust the settings.</li> </ol>
4	<p>Exit the submenu.</p>	<p>Press the <b>AUTO</b> button.</p>	<p>Press the <b>EXIT</b> button.</p>

# ON SCREEN DISPLAY MENU

#	Menu Navigation	Control Panel	Remote Control
5	Close the OSD window.	Press the <b>AUTO</b> button repeatedly if necessary.	Press the <b>EXIT</b> button repeatedly if necessary.

When settings are modified, all changes are saved when the user does the following:

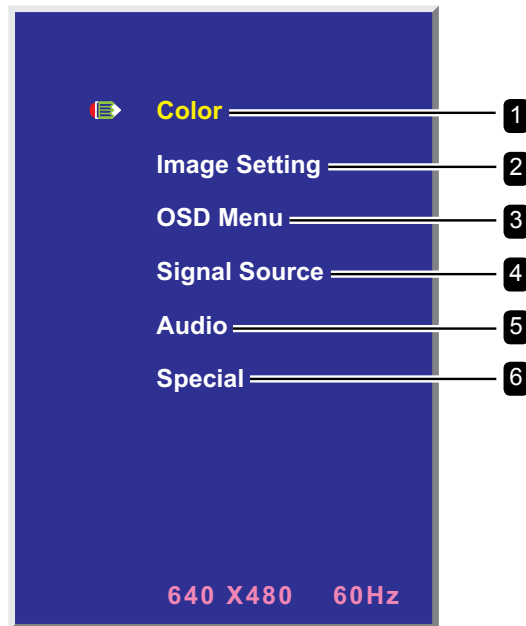
- Proceeds to another menu.
- Exits the OSD menu.
- Waits for the OSD menu to disappear.

## Note:

- ◆ Availability of some menu items depend on the input source signal.

# ON SCREEN DISPLAY MENU

## 4.2 OSD Menu Tree



Main Menu	Submenu	Remarks
1. Color	<ul style="list-style-type: none"> <li>• Contrast</li> <li>• Brightness</li> <li>• Color Adjust</li> <li>• Color Temp</li> </ul>	See page 33.
2. Image Setting	<ul style="list-style-type: none"> <li>• Clock</li> <li>• Phase</li> <li>• Sharpness (For TX-32P only)</li> <li>• H. Position</li> <li>• V. Position</li> </ul>	See page 33.
3. OSD Menu	<ul style="list-style-type: none"> <li>• OSD H. Pos.</li> <li>• OSD V. Pos.</li> <li>• OSD Timer</li> <li>• Language</li> <li>• ANTI Burn in</li> </ul>	See page 36.
4. Signal Source	<ul style="list-style-type: none"> <li>• D-SUB</li> <li>• DVI</li> <li>• HDMI</li> <li>• Auto Search</li> </ul>	See page 37.
5. Audio	<ul style="list-style-type: none"> <li>• Volume</li> <li>• Mute</li> </ul>	See page 37.
6. Special	<ul style="list-style-type: none"> <li>• Aspect Ratio</li> <li>• Reset</li> <li>• Auto</li> <li>• Monitor Id</li> </ul>	See page 38.

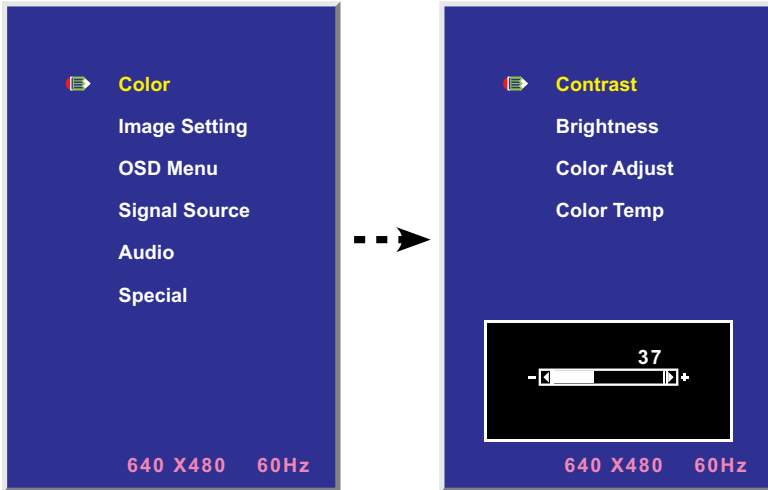
### Note:

- ◆ Availability of some menu items depend on the input source signal.







# CHAPTER 5: ADJUSTING THE LCD DISPLAY

## 5.1 Color

Adjusts the LCD display's color settings.



- 1 Press the **MENU** button on the control panel or the remote control to call out the OSD window.
- 2 Select **Color**, then press the **MENU** button on the control panel or the **ENTER** button on the remote control.
- 3 Press the **PLUS / MINUS** button on the control panel or the **▲ / ▼** button on the remote control to select an option.
- 4 Press the **MENU** button on the control panel or the **ENTER** button on the remote control to enter the adjustment mode.

Item	Function	Operation	Range
Contrast	Adjusts the contrast of the display.	Press the <b>PLUS / MINUS</b> button on the control panel or the <b>▲ / ▼</b> button on the remote control to adjust the value.	0 to 100
<div style="display: flex; justify-content: space-around;"> <div style="text-align: center;"> <p><i>Original Setting</i></p>  </div> <div style="text-align: center;"> <p><i>High Setting</i></p>  </div> <div style="text-align: center;"> <p><i>Low Setting</i></p>  </div> </div>			
Brightness	Adjusts the brightness of the display.	Press the <b>PLUS / MINUS</b> button on the control panel or the <b>▲ / ▼</b> button on the remote control to adjust the value.	0 to 100
<div style="display: flex; justify-content: space-around;"> <div style="text-align: center;"> <p><i>Original Setting</i></p>  </div> <div style="text-align: center;"> <p><i>High Setting</i></p>  </div> <div style="text-align: center;"> <p><i>Low Setting</i></p>  </div> </div>			

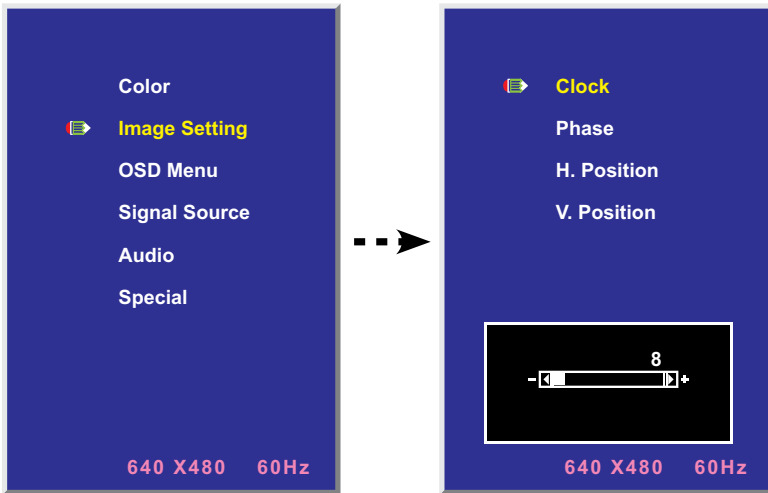
# ADJUSTING THE LCD DISPLAY

Item	Function	Operation	Range
Color Adjust	Adjusts the color of the display (R / G / B). <b>Note:</b> Available only if the <b>Color Temp</b> parameter is set to <b>USER</b> .	<p>a) Press the <b>PLUS / MINUS</b> button on the control panel or the ▲ / ▼ button on the remote control to select <b>Red, Green, or Blue</b>.</p> <p>b) Press the <b>MENU</b> button on the control panel or the <b>ENTER</b> button on the remote control.</p> <p>c) Press the <b>PLUS / MINUS</b> button on the control panel or the ▲ / ▼ button on the remote control to adjust the value.</p>	0 to 100
Color Temp	Adjusts the color temperature of the display.	Press the <b>PLUS / MINUS</b> button on the control panel or the ▲ / ▼ button on the remote control to select the setting.	<p><b>For TX-32P:</b></p> <p>9300</p> <p>6500</p> <p>5800</p> <p>sRGB</p> <p>USER</p> <p><b>For TX-42P:</b></p> <p>11500k</p> <p>9300k</p> <p>6500k</p> <p>sRGB</p> <p>USER</p>

# ADJUSTING THE LCD DISPLAY

## 5.2 Image Setting

Adjusts the LCD display's image settings.



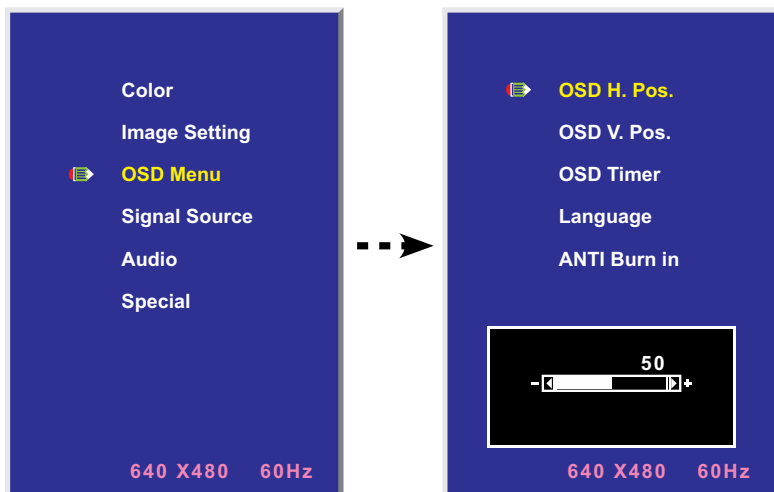
- 1 Press the **MENU** button on the control panel or the remote control to call out the OSD window.
- 2 Select **Image Setting**, then press the **MENU** button on the control panel or the **ENTER** button on the remote control.
- 3 Press the **PLUS / MINUS** button on the control panel or the **▲ / ▼** button on the remote control to select an option.
- 4 Press the **MENU** button on the control panel or the **ENTER** button on the remote control to enter the adjustment mode.

Item	Function	Operation	Range
Clock	Adjusts the time of the internal clock.	Press the <b>PLUS / MINUS</b> button on the control panel or the <b>▲ / ▼</b> button on the remote control to adjust the value.	0 to 100
Phase	Adjusts the frequency phase of the display.	Press the <b>PLUS / MINUS</b> button on the control panel or the <b>▲ / ▼</b> button on the remote control to adjust the value.	0 to 100
Sharpness	Adjusts the picture sharpness of the display. <b>Note:</b> This item is available only for TX-32P.	Press the <b>PLUS / MINUS</b> button on the control panel or the <b>▲ / ▼</b> button on the remote control to adjust the value.	0 to 4
H. Position	Adjusts the picture along the horizontal axis.	Press the <b>PLUS / MINUS</b> button on the control panel or the <b>▲ / ▼</b> button on the remote control to adjust the value.	0 to 100
V. Position	Adjusts the picture along the vertical axis.	Press the <b>PLUS / MINUS</b> button on the control panel or the <b>▲ / ▼</b> button on the remote control to adjust the value.	0 to 100

# ADJUSTING THE LCD DISPLAY

## 5.3 OSD Menu

Adjusts the OSD menu parameters.



- 1 Press the **MENU** button on the control panel or the remote control to call out the OSD window.
- 2 Select **OSD Menu**, then press the **MENU** button on the control panel or the **ENTER** button on the remote control.
- 3 Press the **PLUS / MINUS** button on the control panel or the **▲ / ▼** button on the remote control to select an option.
- 4 Press the **MENU** button on the control panel or the **ENTER** button on the remote control to enter the adjustment mode.

Item	Function	Operation	Range
OSD H. Pos.	Moves the position of the OSD menu horizontally.	Press the <b>PLUS / MINUS</b> button on the control panel or the <b>▲ / ▼</b> button on the remote control to adjust the value.	0 to 100
OSD V. Pos.	Moves the position of the OSD menu vertically.	Press the <b>PLUS / MINUS</b> button on the control panel or the <b>▲ / ▼</b> button on the remote control to adjust the value.	0 to 100
OSD Timer	Changes the OSD menu timer settings where the number selected for this setting equals the number of seconds the OSD menu is displayed before it automatically closes (if 0 is selected the OSD menu will not close automatically).	Press the <b>PLUS / MINUS</b> button on the control panel or the <b>▲ / ▼</b> button on the remote control to adjust the value.	<b>For TX-32P:</b> 0 to 30 <b>For TX-42P:</b> 0 to 100
Language	Chooses the OSD menu language.	a) Press the <b>PLUS / MINUS</b> button on the control panel or the <b>▲ / ▼</b> button on the remote control to select the desired the language. b) Press the <b>MENU</b> button on the control panel or the <b>ENTER</b> button on the remote control to confirm.	English French German Spanish Traditional Chinese Simplified Chinese Japanese
ANTI Burn in	Triggers the screen saver function ( <b>ON / OFF</b> ). If set to <b>ON</b> then a white rectangle will automatically go across the screen, and will be followed by a black rectangle.	Press the <b>MENU</b> button on the control panel or the <b>ENTER</b> button on the remote control to select the setting.	OFF

# ADJUSTING THE LCD DISPLAY

## 5.4 Signal Source

Adjusts the signal input of the display.



- 1 Press the **MENU** button on the control panel or the remote control to call out the OSD window.
- 2 Select **Signal Source**, then press the **MENU** button on the control panel or the **ENTER** button on the remote control.
- 3 Press the **PLUS / MINUS** button on the control panel or the **▲ / ▼** button on the remote control to select an option.
- 4 Press the **MENU** button on the control panel or the **ENTER** button on the remote control to confirm the selection.

## 5.5 Audio

Adjusts the sound settings.



- 1 Press the **MENU** button on the control panel or the remote control to call out the OSD window.
- 2 Select **Audio**, then press the **MENU** button on the control panel or the **ENTER** button on the remote control.
- 3 Press the **PLUS / MINUS** button on the control panel or the **▲ / ▼** button on the remote control to select an option.
- 4 Press the **MENU** button on the control panel or the **ENTER** button on the remote control to enter the adjustment mode.

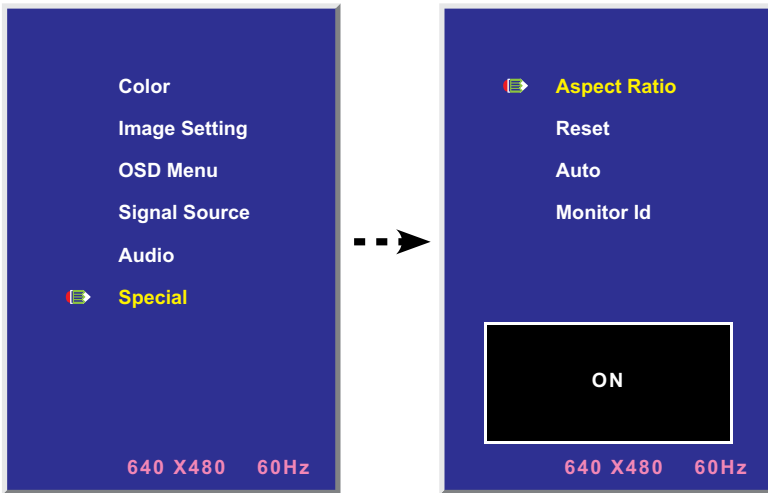
Item	Function	Operation	Range
Volume	Adjusts the volume.	Press the <b>PLUS / MINUS</b> button on the control panel or the <b>▲ / ▼</b> button on the remote control to adjust the value.	<b>For TX-32P:</b> 0 to 16 <b>For TX-42P:</b> 0 to 20
Mute	Mutes or unmutes the audio.	Press the <b>MENU</b> button on the control panel or the <b>ENTER</b> button on the remote control to select the setting.	ON OFF



# ADJUSTING THE LCD DISPLAY

## 5.6 Special

Designates screen parameters.

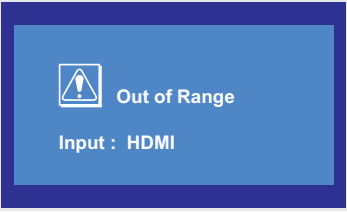
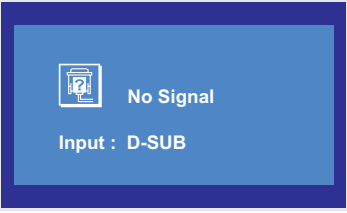


- 1 Press the **MENU** button on the control panel or the remote control to call out the OSD window.
- 2 Select **Special**, then press the **MENU** button on the control panel or the **ENTER** button on the remote control.
- 3 Press the **PLUS / MINUS** button on the control panel or the **▲ / ▼** button on the remote control to select an option.
- 4 Press the **MENU** button on the control panel or the **ENTER** button on the remote control to enter the adjustment mode.

Item	Function	Operation	Range
Aspect Ratio	Adjusts the aspect ratio of the display as follows: – <b>OFF</b> : Original size. – <b>ON</b> : Full screen.	Press the <b>MENU</b> button on the control panel or the <b>ENTER</b> button on the remote control to select the setting.	ON OFF
Reset	Resets the display to its factory default settings.	Press the <b>MENU</b> button on the control panel or the <b>ENTER</b> button on the remote control.	N/A
Auto	Automatically resets the horizontal position, vertical position, frequency, and phase for VGA source.	Press the <b>MENU</b> button on the control panel or the <b>ENTER</b> button on the remote control.	N/A
Monitor Id	Sets a unique 2-digit number for the display.	Press the <b>PLUS / MINUS</b> button on the control panel or the <b>▲ / ▼</b> button on the remote control to adjust the value.	<b>For TX-32P:</b> 0 to 16 <b>For TX-42P:</b> 0 to 60

# CHAPTER 6: APPENDIX

## 6.1 Warning Messages

Warning Messages	Cause	Solution
	The resolution or the refresh rate of the graphics card of the computer is set too high.	<ul style="list-style-type: none"> <li>• Change the resolution or the refresh rate of the graphics card.</li> </ul>
	The LCD display cannot detect the input source signal.	<ul style="list-style-type: none"> <li>• Check if the input source is turned on.</li> <li>• Check if the signal cable is properly connected.</li> <li>• Check if any pin inside the cable connector is twisted or broken.</li> </ul>

## 6.2 Supported Resolution

### VGA Resolution:

Resolution	Refresh Rate (Hz)	Horizontal Frequency (KHz)	Pixel Frequency (MHz)	Standard Type
640x480	60	31.5	25.175	Industrial Standard
	75	37.5	31.5	VESA Standard
800x600	60	37.9	40	VESA Guideline
	72	48.1	50	VESA Standard
	75	46.9	49.5	VESA Standard
1024x768	60	48.4	65	VESA Guideline
	70	56.5	75	VESA Standard
	75	60	78.75	VESA Standard
1280x768	60	47.4	68.25	
1280x1024	60	64	108	
1360x768	60	47.8	85.5	
1440x900	60	55.9	106.5	
	75	70.6	136.75	
1920x1080	60	67.5	148.5	

# APPENDIX

## DVI Resolution:

Resolution	Refresh Rate (Hz)	Horizontal Frequency (KHz)	Pixel Frequency (MHz)	Standard Type
640x480	60	31.5	25.175	Industrial Standard
	75	37.5	31.5	
1280x1024	60	64	108	
1920x1080	60	67.5	148.5	

## HDMI Resolution:

Resolution	Refresh Rate (Hz)	Horizontal Frequency (KHz)	Pixel Frequency (MHz)	Standard Type
1920x1080	60	67.5	148.5	

## General guidelines:

- The PC text quality is optimum in HD 1080 mode (1920x1080, 60Hz).
- Your PC display screen might appear different depending on the manufacturer (and your particular version of Windows).
- Check your PC instruction book for information about connecting your PC to a display.
- When horizontal synchronous signals seem irregular in RGB mode, check PC power saving mode or cable connections.
- The display settings table complies to the IBM/VESA standards, and based on the analog input.
- The DVI support mode is regarded as same to the PC support mode.
- The best timing for the vertical frequency to each mode is 60Hz.

## 6.3 Cleaning

### Caution When Using the Display

- Do not bring your hands, face or objects close to the ventilation holes of the display. The top of the display is usually very hot due to the high temperature of exhaust air being released through the ventilation holes. Burns or personal injuries may occur if any body parts are brought too close. Placing any object near the top of the display could also result in heat related damage to the object as well as the display itself.
- Be sure to disconnect all cables before moving the display. Moving the display with its cables attached may damage the cables and thus cause fire or electric shock.
- Disconnect the power plug from the wall outlet as a safety precaution before carrying out any type of cleaning or maintenance procedure.

### Front Panel Cleaning Instructions

- The front of the display has been specially treated. Wipe the surface gently using only a cleaning cloth or a soft, lint-free cloth.
- If the surface becomes dirty, soak a soft, lint-free cloth in a mild detergent solution. Wring the cloth to remove excess liquid. Wipe the surface of the display to remove dirt. Then use a dry cloth of the same type to dry.
- Do not scratch or hit the surface of the panel with fingers or hard objects of any kind.
- Do not use volatile substances such as insect sprays, solvents and thinners.

### Cabinet Cleaning Instructions

- If the cabinet becomes dirty, wipe the cabinet with a soft, dry cloth.
- If the cabinet is extremely dirty, soak a lint-free cloth in a mild detergent solution. Wring the cloth to remove as much moisture as possible. Wipe the cabinet. Use another dry cloth to wipe over until the surface is dry.
- Do not allow any water or detergent to come into contact with the surface of the display. If water or moisture gets inside the unit, operating problems, electrical and shock hazards may result.
- Do not scratch or hit the cabinet with fingers or hard objects of any kind.
- Do not use volatile substances such as insect sprays, solvents and thinners on the cabinet.
- Do not place anything made from rubber or PVC near the cabinet for any extended periods of time.

# APPENDIX

## 6.4 Troubleshooting

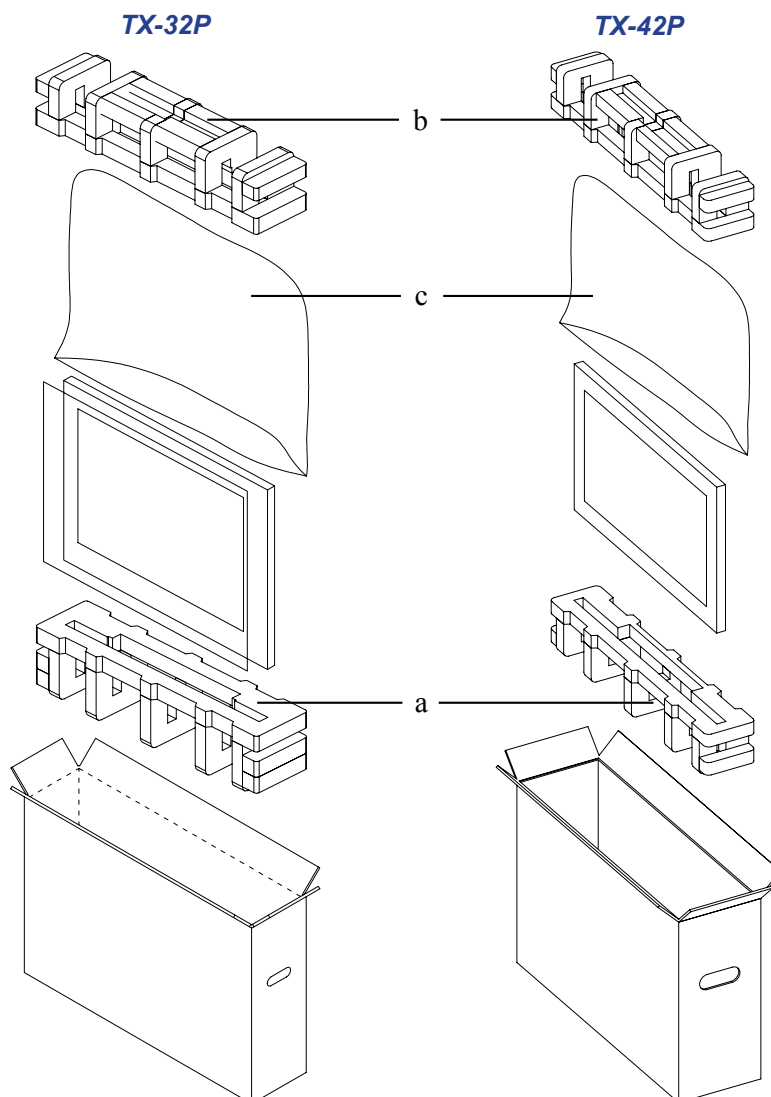
Symptom	Possible Cause	Remedy
No picture is displayed	<ul style="list-style-type: none"> <li>The main power switch on the side of the display is not switched on.</li> <li>The selected input has no connection.</li> <li>The display is in standby mode.</li> </ul>	<ol style="list-style-type: none"> <li>1 Plug in the power cord.</li> <li>2 Make sure the <b>Main Power</b> switch is switched on.</li> <li>3 Connect a signal connection to the display.</li> </ol>
Interference displayed on the display or audible noise is heard	Caused by surrounding electrical appliances or fluorescent lights.	Move the display to another location to see if the interference is reduced.
Color is abnormal	The signal cable is not connected properly.	Make sure that the signal cable is attached firmly to the bottom of the display.
Picture is distorted with abnormal patterns	<ul style="list-style-type: none"> <li>The signal cable is not connected properly.</li> <li>The input signal is beyond the capabilities of the display.</li> </ul>	<ul style="list-style-type: none"> <li>Make sure that the signal cable is attached firmly.</li> <li>Check the video signal source to see if it is beyond the range of the display. Please verify its specifications with this display's specification section.</li> </ul>
Can hear sound, but no picture	Improperly connected source signal cable.	Make sure that both video inputs and sound inputs are correctly connected.
Can see picture but no sound is heard	<ul style="list-style-type: none"> <li>Improperly connected source signal cable.</li> <li>Volume is turned all the way down.</li> <li><b>MUTE</b> function is turned on.</li> <li>No external speaker connected.</li> </ul>	<ul style="list-style-type: none"> <li>Make sure that both video and sound inputs are correctly connected.</li> <li>Press the <b>+</b> or <b>-</b> button on the remote control to hear the sound.</li> <li>Switch the <b>MUTE</b> function off by using the <b>MUTE</b> button on the remote control.</li> <li>Connect the external speakers and adjust the volume to a suitable level.</li> </ul>
Some picture elements do not light up	Some pixels of the display may not turn on.	This display is manufactured using an extremely high level of precision technology: however, sometimes some pixels of the display may not display. This is not a malfunction.
After-Images can still be seen on the display after the display is powered off. (Examples of still pictures include logos, video games, computer images, and images displayed in 4:3 normal mode)	A still picture is displayed for an over extended period of time.	Do not allow a still image to be displayed for an extended period of time as this can cause a permanent after-image to remain on the display.

# APPENDIX

## 6.5 Transporting the LCD Display

To transport the LCD display for repair or shipment, place the display in its original packaging carton.

- 1 Put all the accessories in the box (if necessary).
- 2 Place the lower foam cushion (a) inside the box.
- 3 Place the monitor inside the supplied protective bag (c).
- 4 Place the LCD display down in the box.
- 5 Place the upper foam cushion (b) on top of the LCD display.
- 6 Place the accessories box on the designated area (if necessary).



# CHAPTER 7: SPECIFICATIONS

## 7.1 Display Specifications

		TX-32P	TX-42P
Panel	Panel Type	LED-Backlit TFT LCD (VA Technology)	LED-Backlit TFT LCD (VA Technology)
	Panel Size	31.5"	42.0"
	Max. Resolution	FHD 1920 x 1080	FHD 1920 x 1080
	Pixel Pitch	0.364 mm	0.485 mm
	Brightness	500 cd/m <sup>2</sup>	500 cd/m <sup>2</sup>
	Contrast Ratio	3000:1	4000:1
	Viewing Angle (H/V)	178°/178°	178°/178°
	Display Colour	16.7M	16.7M
	Response Time	5 ms	5 ms
Frequency (H/V)	H Freq.	30 kHz-80 kHz	30 kHz-80 kHz
	V Freq.	50 Hz-76 Hz	50 Hz-76 Hz
Input	DisplayPort	x 1	x 1
	HDMI	1.4 x 1	1.4 x 1
	DVI	29-Pin DVI-I	29-Pin DVI-I
	VGA	15-Pin D-Sub x 1	15-Pin D-Sub x 1
External Control	RS232 In	9-Pin D-Sub	9-Pin D-Sub
Audio	Audio In/Out	Stereo Audio Jack (3.5 mm) x 1	Stereo Audio Jack (3.5 mm) x 1
	Internal Speakers	10W x 2	10W x 2
Touch Screen	Technology	Projective Capacitive	Projective Capacitive
	Positional Accuracy	± 2.0 mm	± 2.0 mm
	Panel Interface	USB (type A)	USB (type A)
	Single Touch Plug & Play	Windows CE/XP Android (Kernel 3.8 upward) Linux (Kernel 3.8 upward) Mac10.6 upward	Windows CE/XP Android (Kernel 3.8 upward) Linux (Kernel 3.8 upward) Mac10.6 upward
	Multi-touch Plug & Play	Windows 7/8/10 Android (Kernel 3.8 upward) Linux (Kernel 3.8 upward)	Windows 7/8/10 Android (Kernel 3.8 upward) Linux (Kernel 3.8 upward)
	Multi-touch Support by Driver	Mac10.7~Mac10.13 with UPDD Driver (UPDD_06_00_376)	Mac10.7~Mac10.13 with UPDD Driver (UPDD_06_00_376)
Power	Power Supply	Internal	Internal
	Power Requirements	AC 100-240V, 50/60 Hz	AC 100-240V, 50/60 Hz
	On Mode	40.81W (On)	67.5W (On)
	Stand-by Mode	< 2W	< 2W
	Off Mode	< 1W	< 1W
Glass	Thickness	3.0 mm (0.12")	4.0 mm (0.16")
	Transmission Rate	> 85%	> 85%
	Hardness	> 7H	> 7H
Operating Conditions	Temperature	0°C-40°C (32°F-104°F)	0°C-40°C (32°F-104°F)
	Humidity	20%-80% (non-condensing)	20%-80% (non-condensing)
Storage Conditions	Temperature	-20°C-60°C (-4°F-140°F)	-20°C-60°C (-4°F-140°F)
	Humidity	20%-80% (non-condensing)	20%-80% (non-condensing)
Mounting	VESA FPMPI	Yes (400 x 200 mm)	Yes (400 x 400 mm)
Security	Kensington Security Slot	Yes	Yes
Dimensions	Product w/o Base (W x H x D)	750.2 x 466.8 x 69.6 mm (29.5" x 18.4" x 2.7")	978.5 x 578.2 x 82.1 mm (38.5" x 22.8" x 3.2")
	Packaging (W x H x D)	880.0 x 590.0 x 220.0 mm (34.6" x 23.2" x 8.7")	1102.0 x 696.0 x 216.0 mm (43.4" x 27.4" x 8.5")
Weight	Product w/o Base	12.5 kg (27.6 lb)	24.5 kg (54.0 lb)
	Packaging	14.5 kg (32.0 lb)	28.0 kg (61.7 lb)

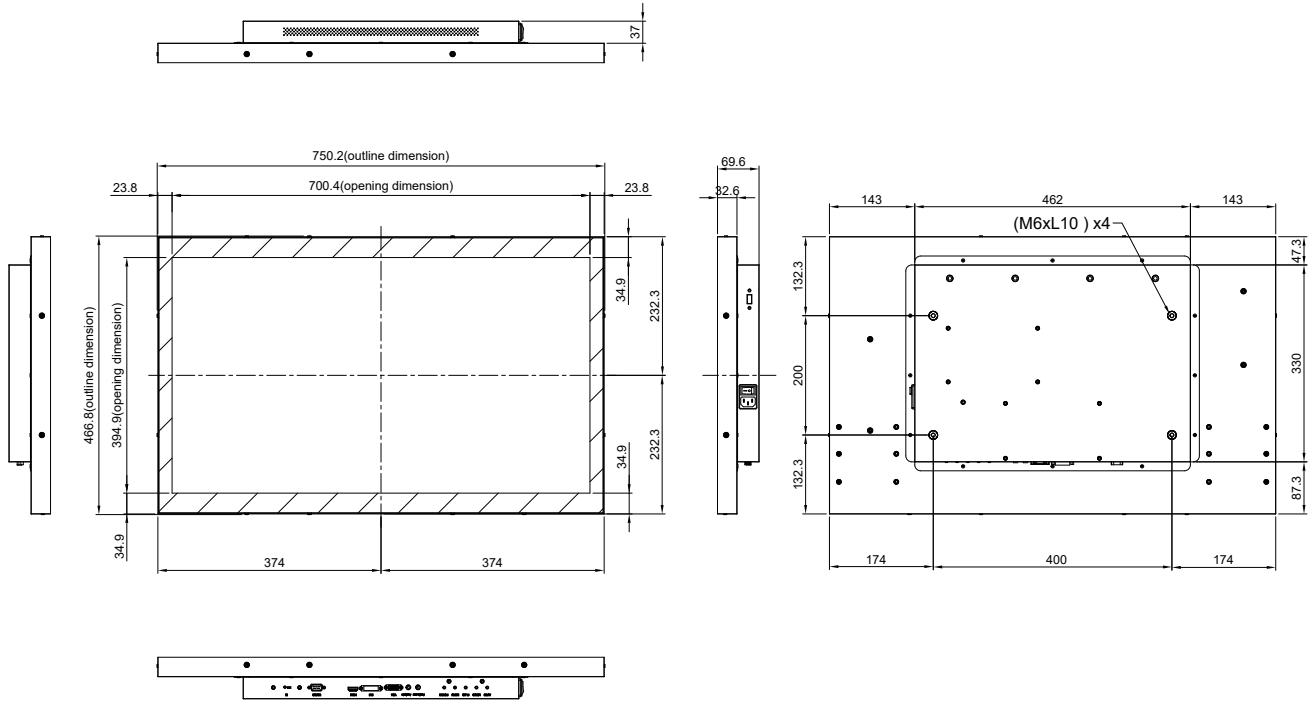
### Note:

- ◆ All specifications are subject to change without prior notice.

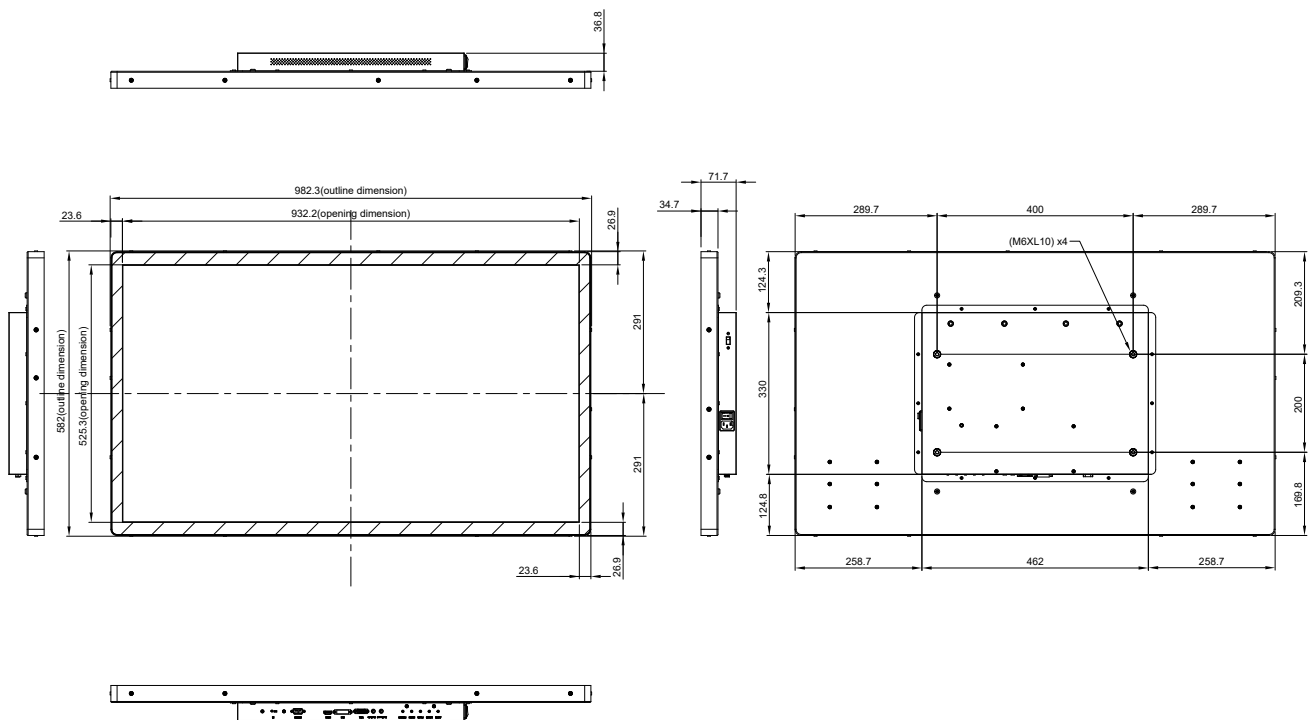
# SPECIFICATIONS

## 7.2 Display Dimensions

### 7.2.1 TX-32P Dimensions



### 7.2.2 TX-42P Dimensions



### AG Neovo

Company Address: 5F-1, No. 3-1, Park Street, Nangang District, Taipei, 11503, Taiwan.

Copyright © 2018 AG Neovo. All rights reserved.

TX3P00/TX4P00\_UM\_V012